



# CorEnzo EcoService

360° Service: Innovating Globally, Leading Locally

Sep 2025



# ***We are CorEnzo***

We are a group of experienced engineers who teamed up to provide fast, proactive and professional solutions in Engineering, Manufacturing, and Supervision for clients all over the world.

## Engineering Design

Waste Recycling and Solutions; Shredders, Cutters, Crushers and all types of Separation Machine technologies, along with the integration of Construction Machinery and all other Machine design and production facilities, form part of CorEnzo's core competencies. We have grown in this field by utilising the latest engineering tools and methods.

# WHAT WE DO

## Project and Supply Chain Management

Providing a central PM office, and having representatives at the client sites, we provide detailed, integrated, and step by step project management services, as a result of years of experience in different industrial sectors.

## Purchasing Manufacturing

Providing a central Purchasing and Manufacturing management office with dedicated transportation departments , and having supervisors at the client sites, we provide high quality, machinery and commercial items, with the help of our project management department.



# METALLURGY AND PROCESS DESIGN

Our division in Metallurgy and Process design offers solutions in:

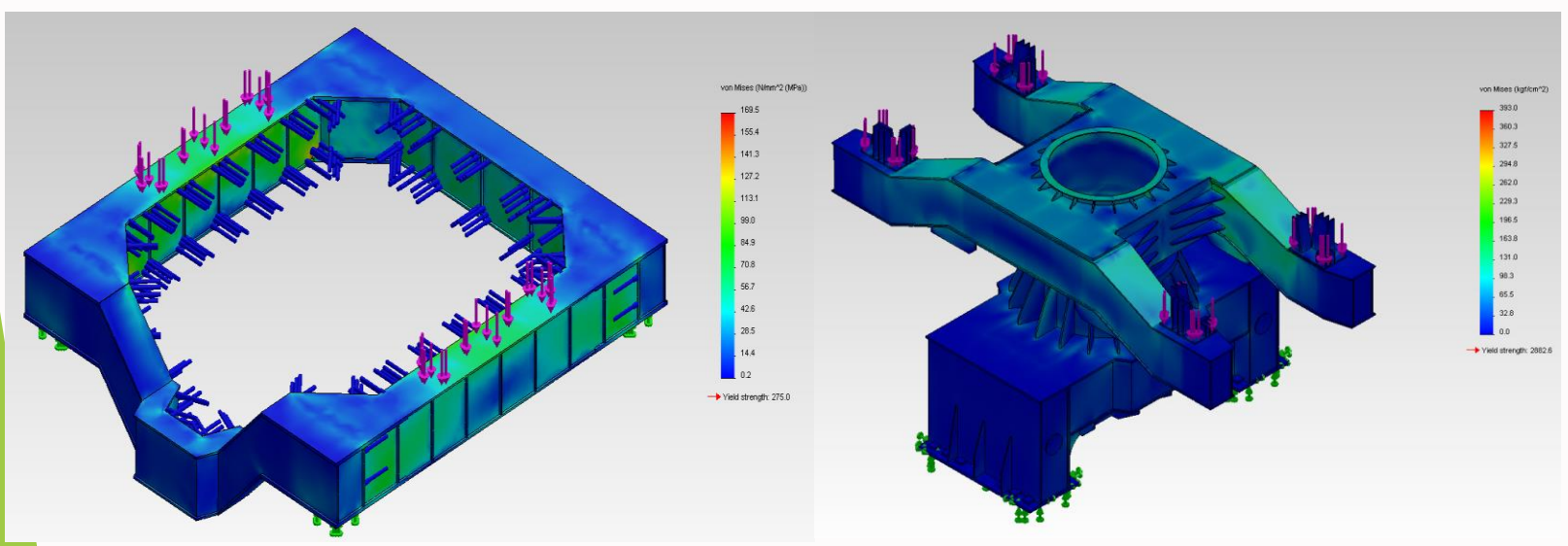
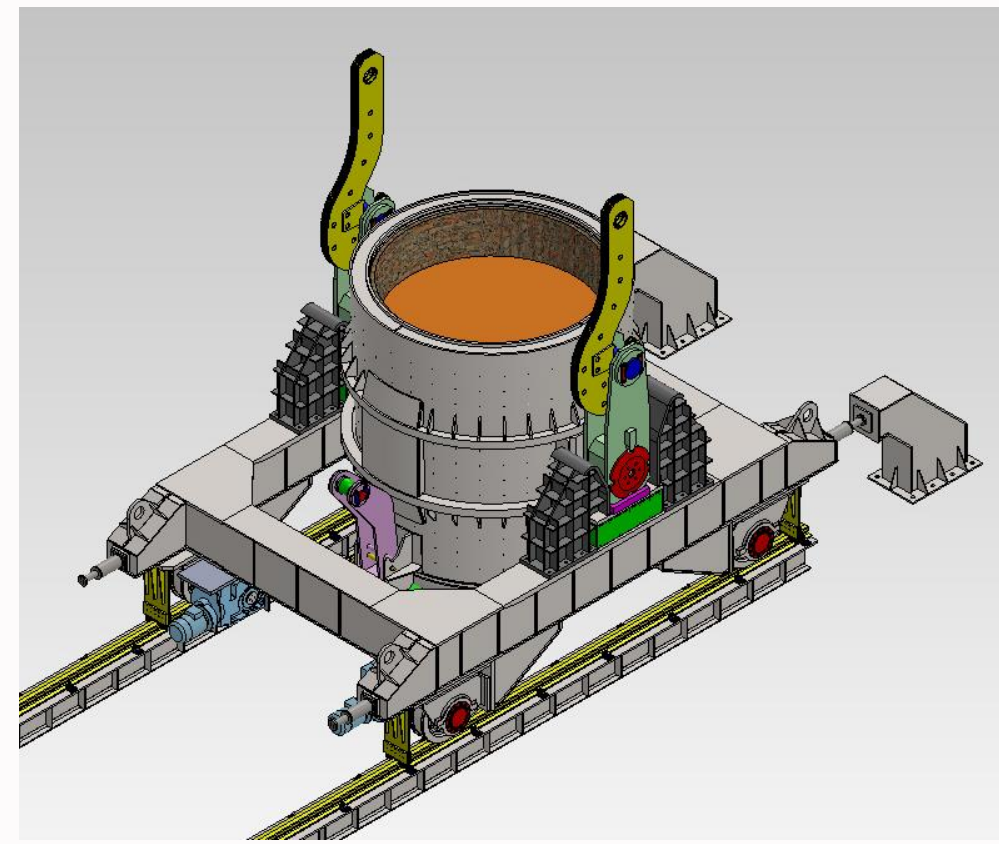
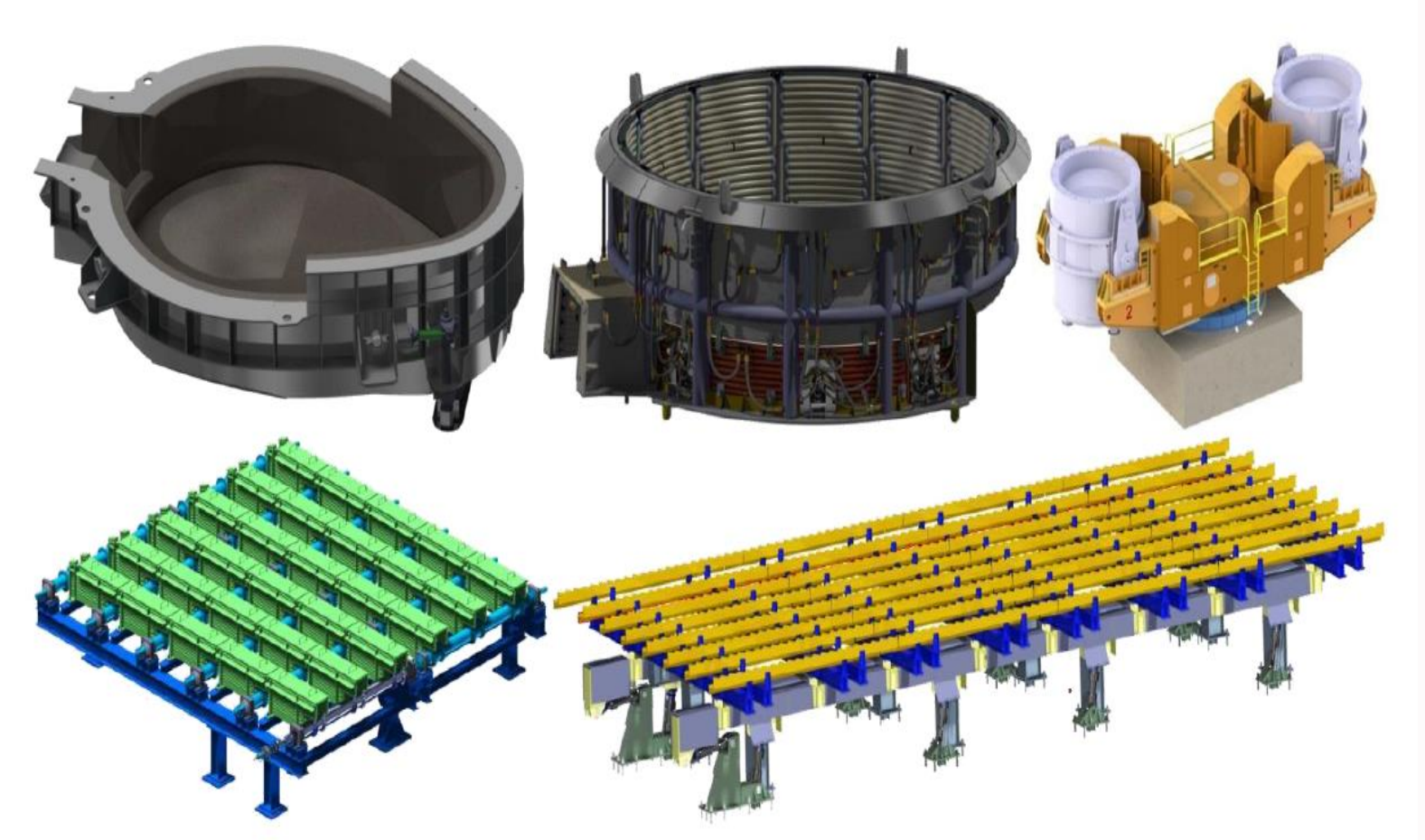
- Process design and process improving of new or existing metallurgical plants,
- Optimization of plant traffics,
- Energy efficiency improvement,
- Recipe preparation for Metal Recycling Process Plants
- Interface design between Process Plant and downstream/upstream/auxiliary facilities
- Conceptual Studies
- Basic F/S (Proof of Concept)
- Project Preparation

# ENGINEERING DIVISIONS

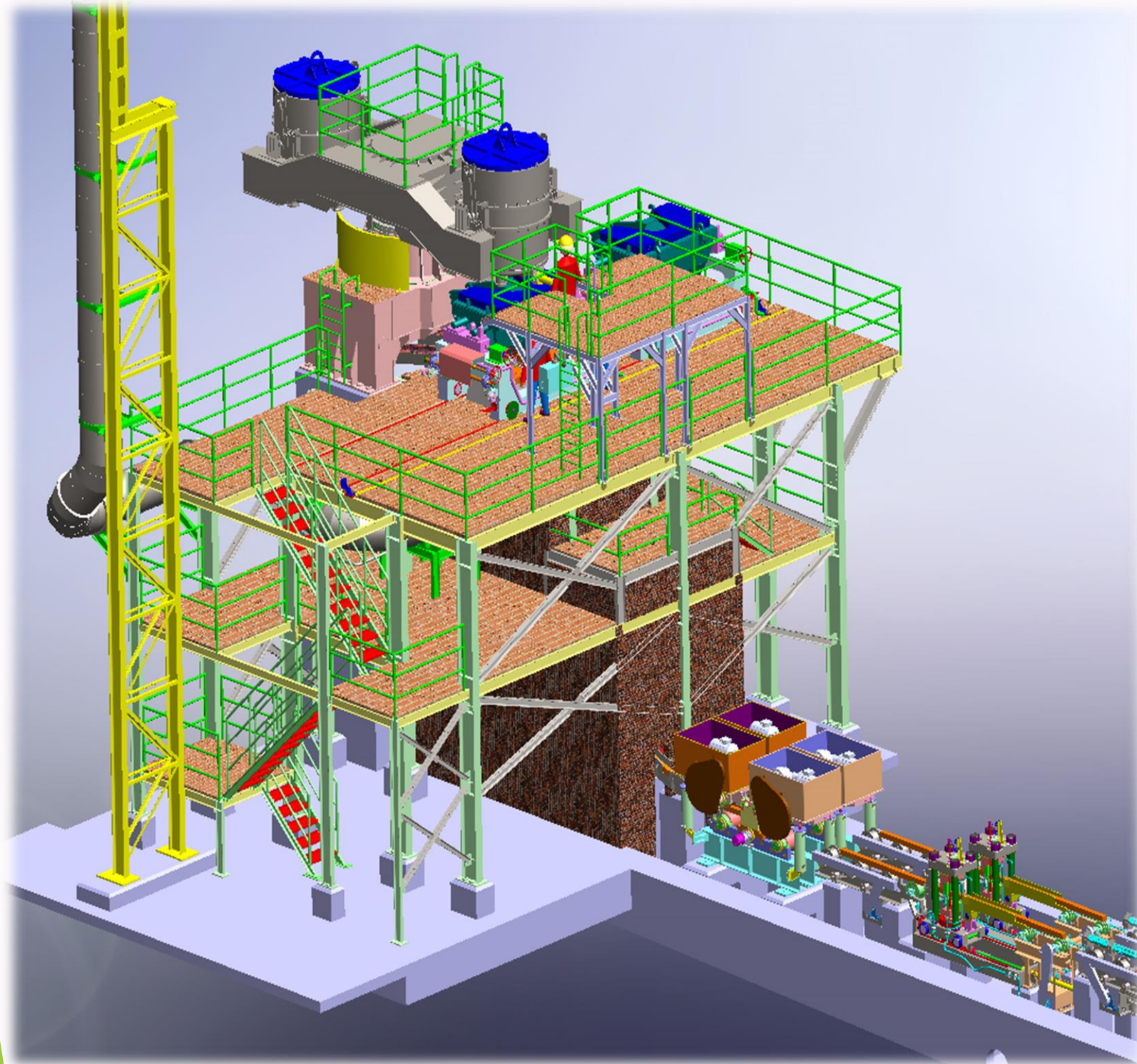
- 01** PROCESS ENGINEERING  
AVEVA - FLEXIM - ANYLOGIC
- 02** KEY PROCESS EQUIPMENT/MECHANICAL ENGINEERING  
AUTODESK INVENTOR , SOLIDWORKS, ANSYS, NASTRAN
- 03** CIVIL & STEEL STRUCTURE ENGINEERING  
AUTODESK REVIT - TEKLA - SAP2000
- 04** ARCHITECTURAL ENGINEERING  
AUTODESK REVIT
- 05** UTILITY AND PIPING  
AVEVA E3D - CESAR II - PIPENET
- 06** ELECTRICAL AND AUTOMATION ENGINEERING  
EPLAN - ETAP
- 07** PLANT ENGINEERING INTEGRATION  
NAVISWORKS - E3D
- 08** COMMON SERVICES (HVAC, LIGHTING, etc.)  
CAREER - DIALUX EVO



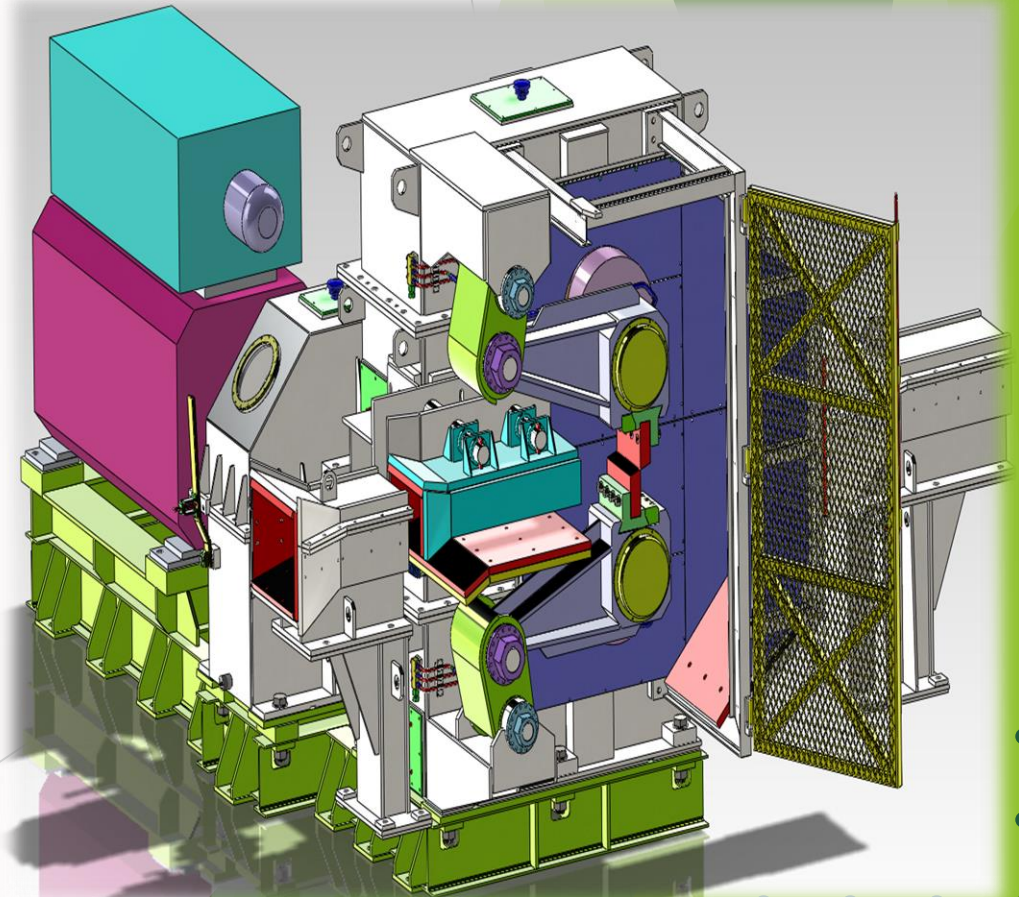
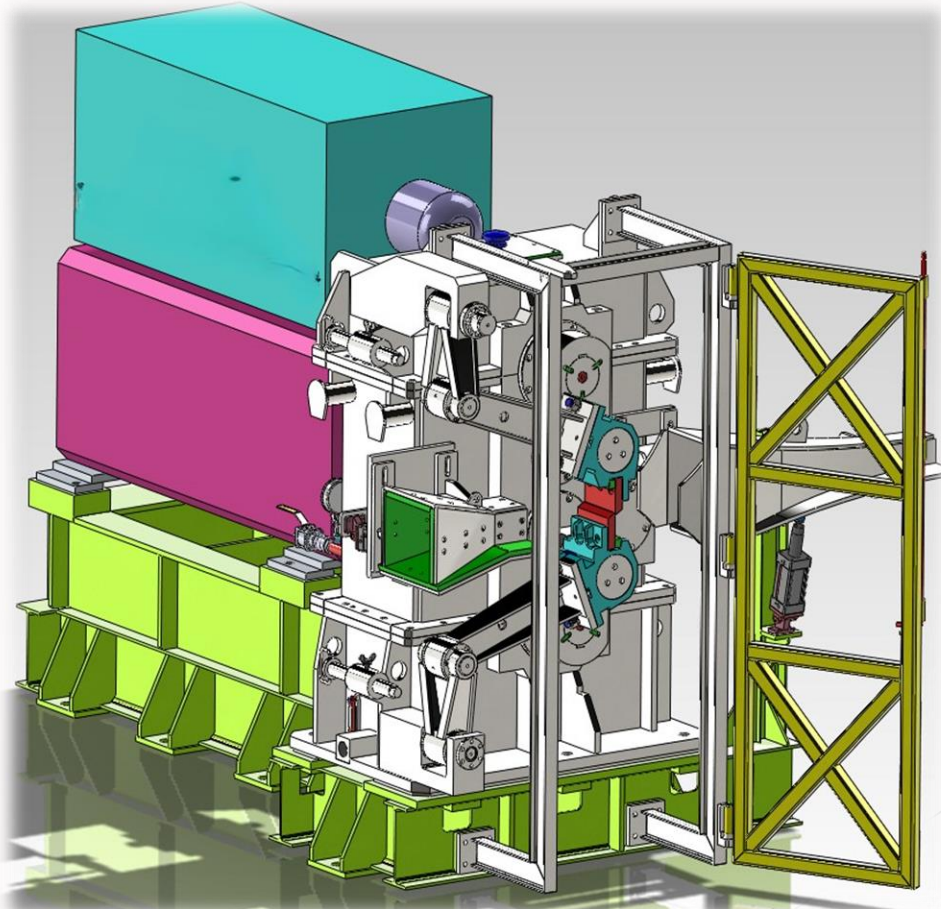
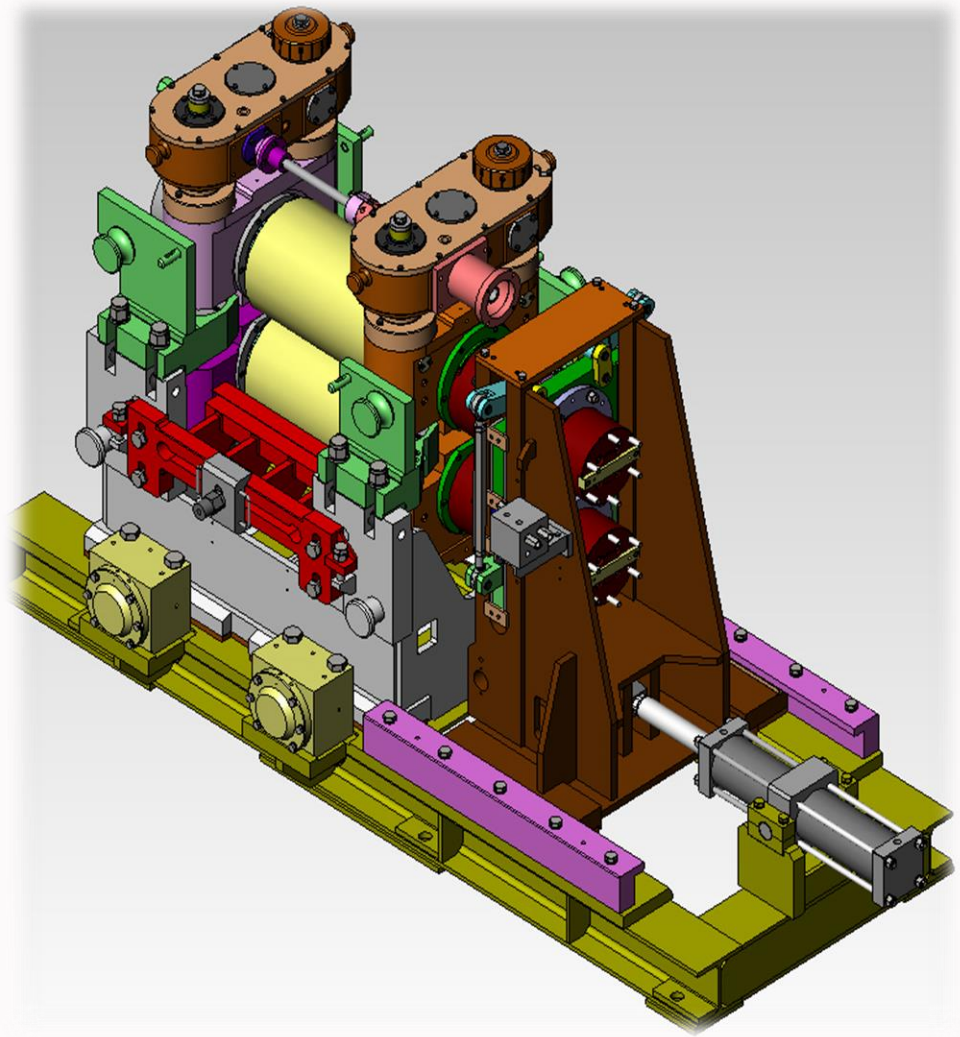
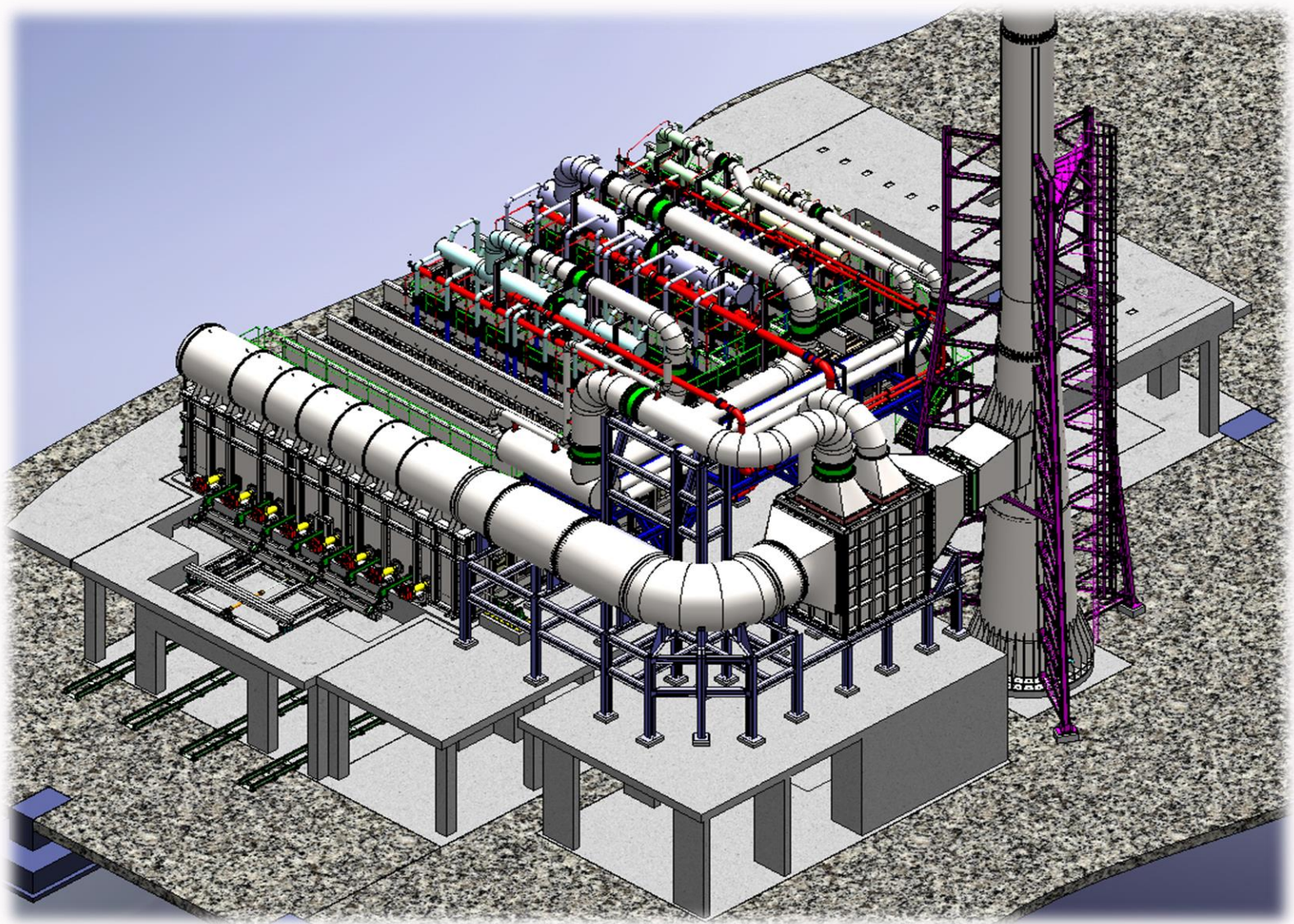
# ENGINEERING DIVISIONS



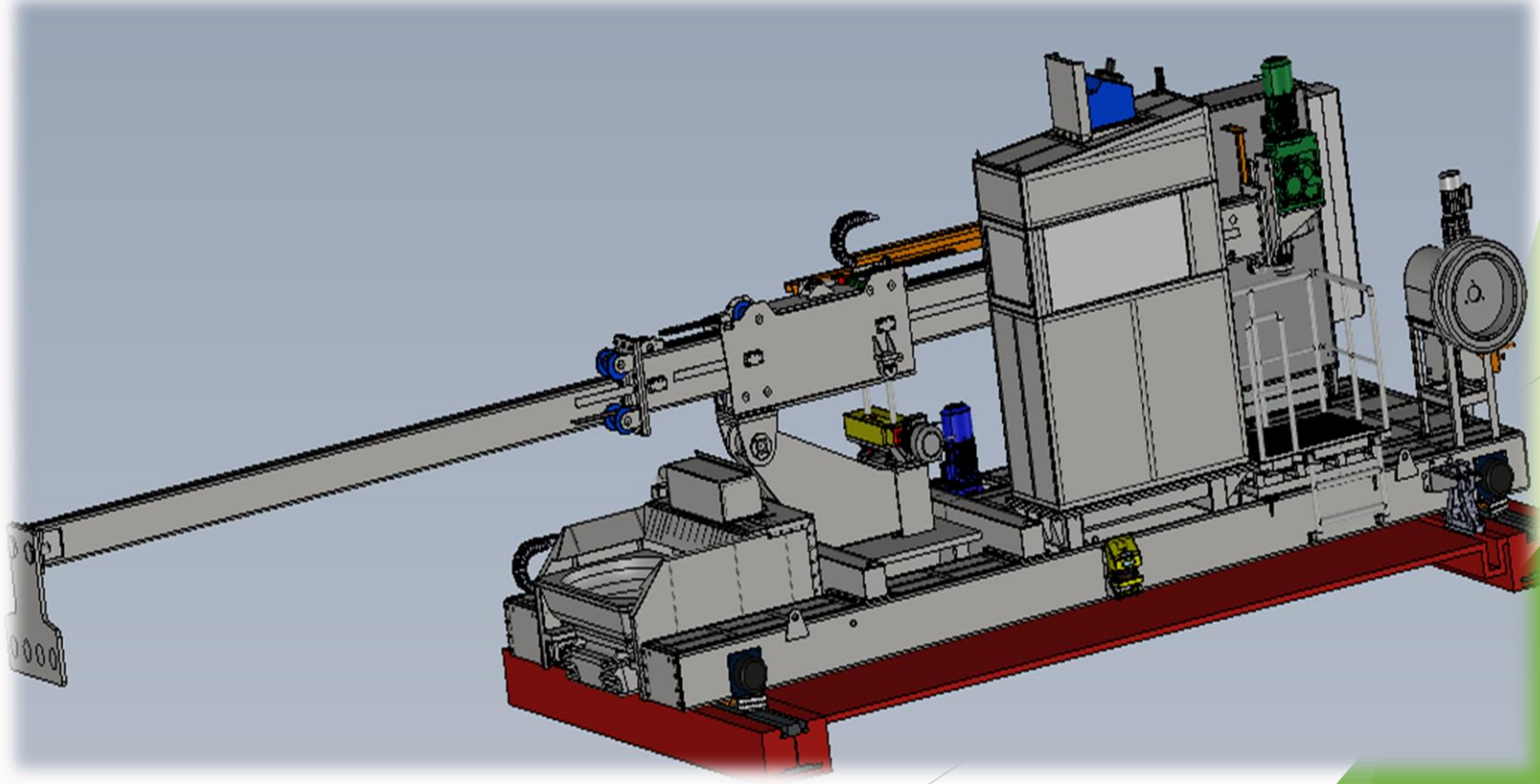
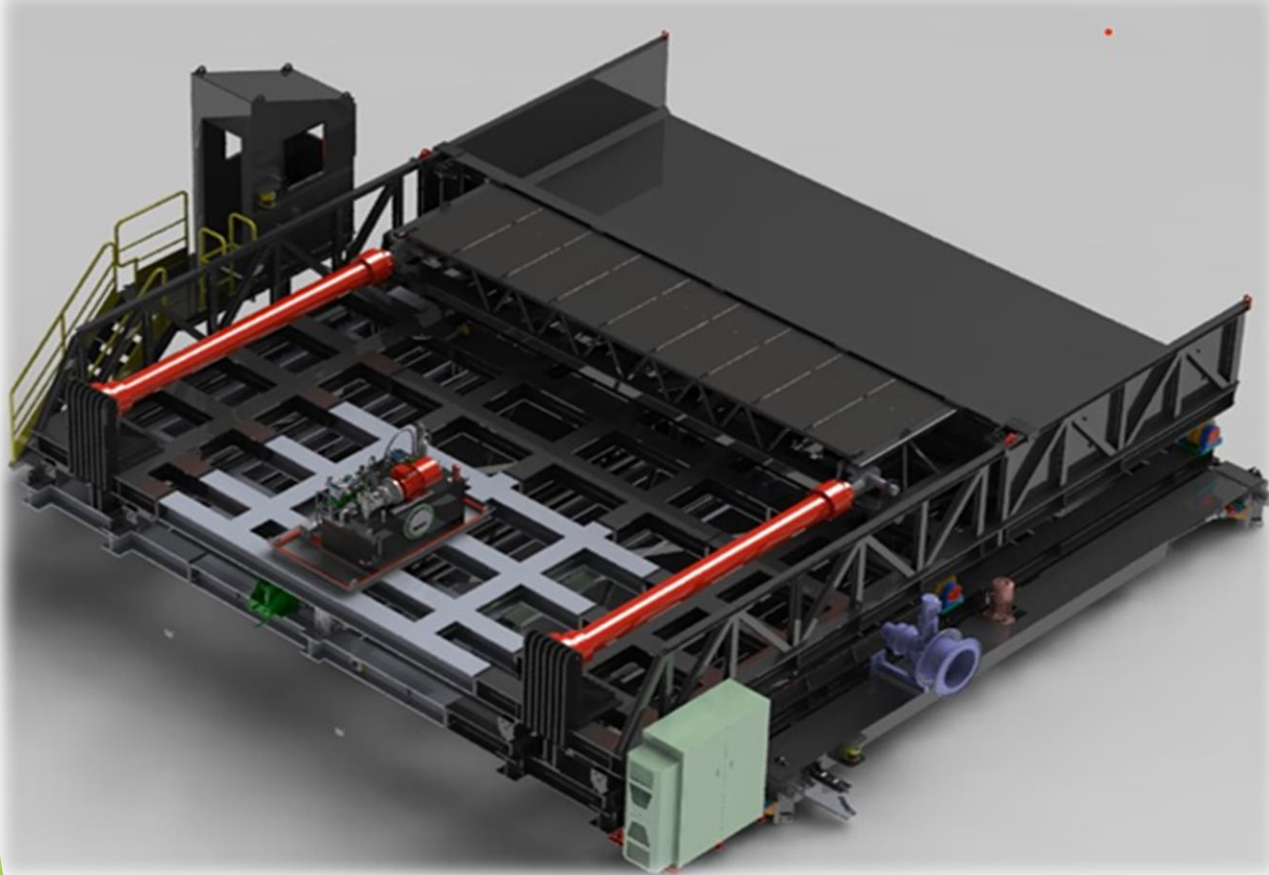
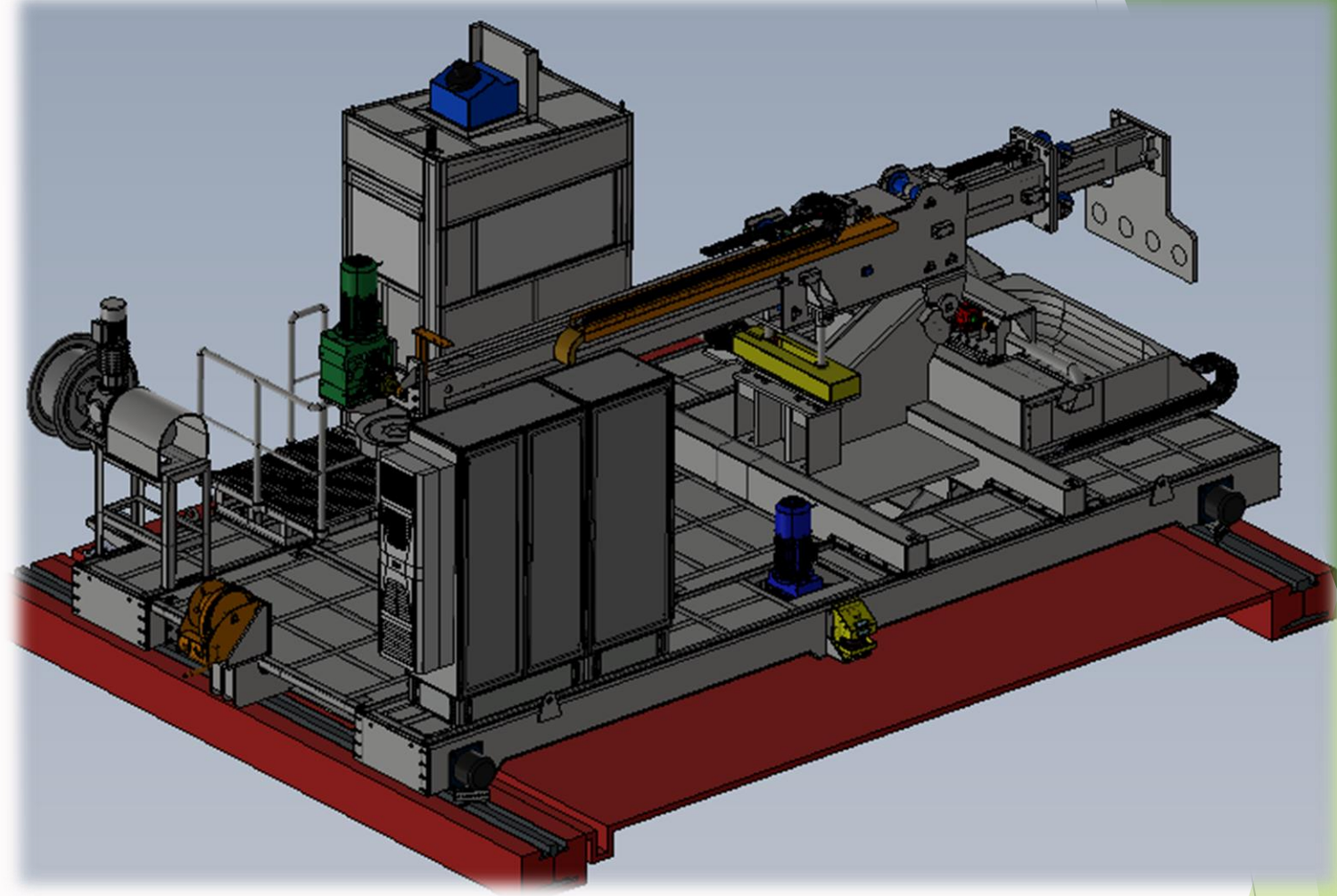
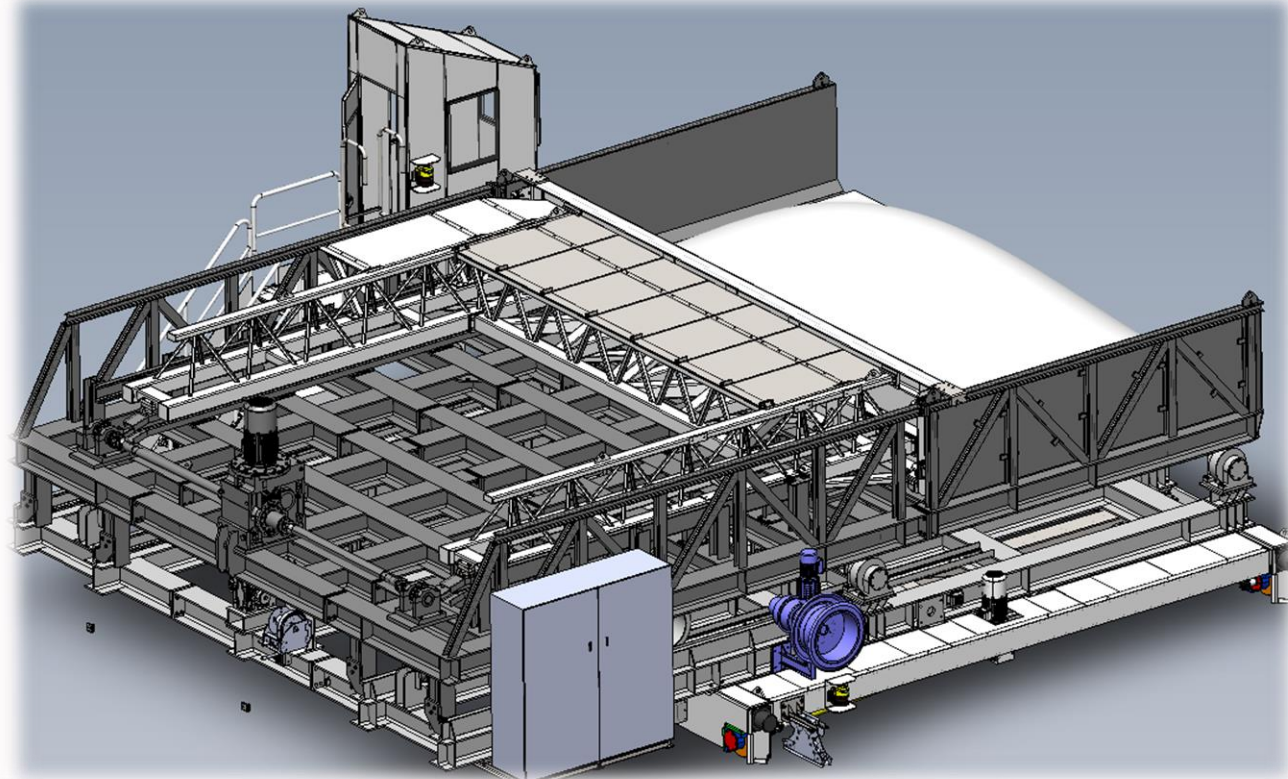
# ENGINEERING DIVISIONS



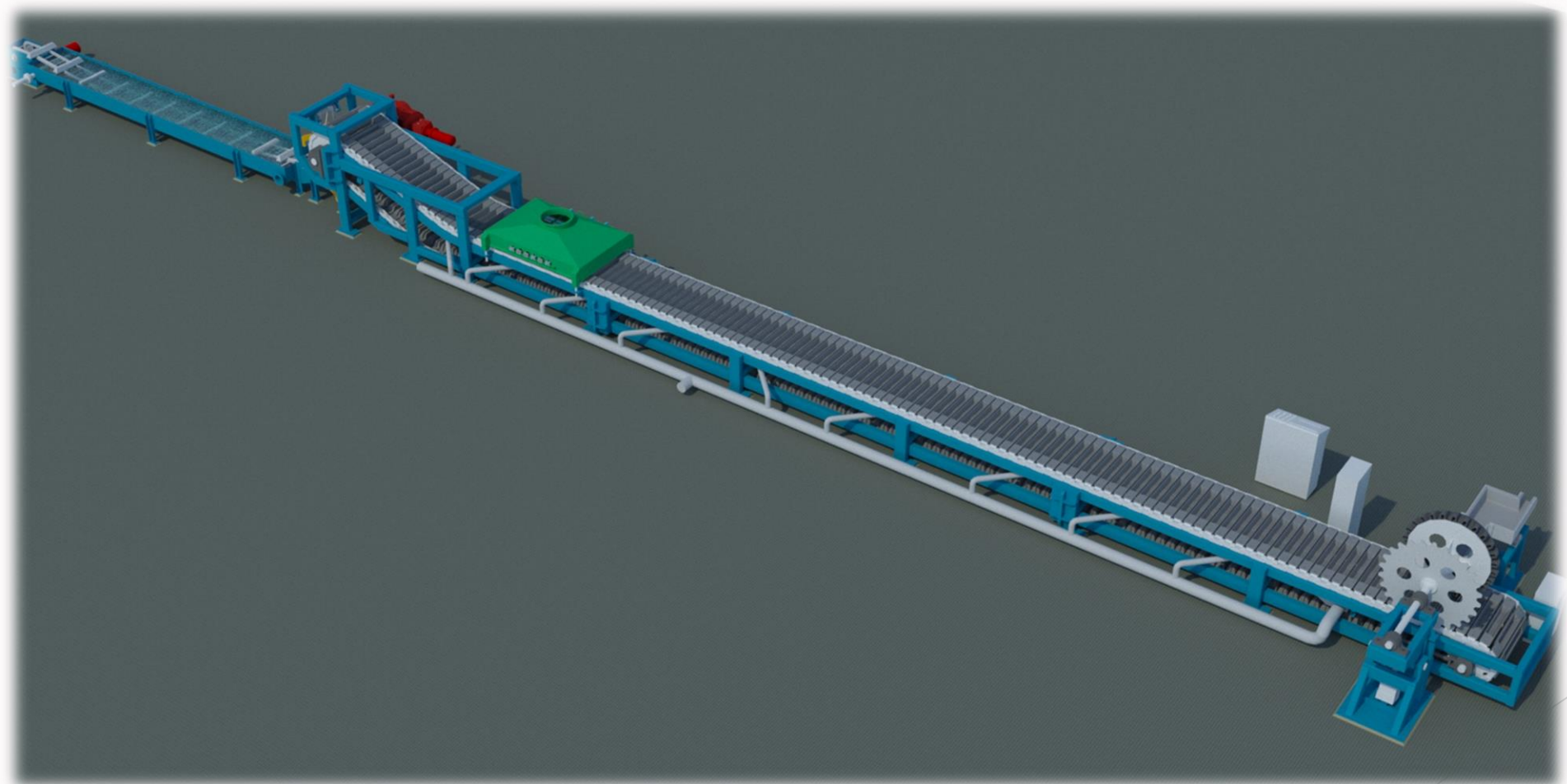
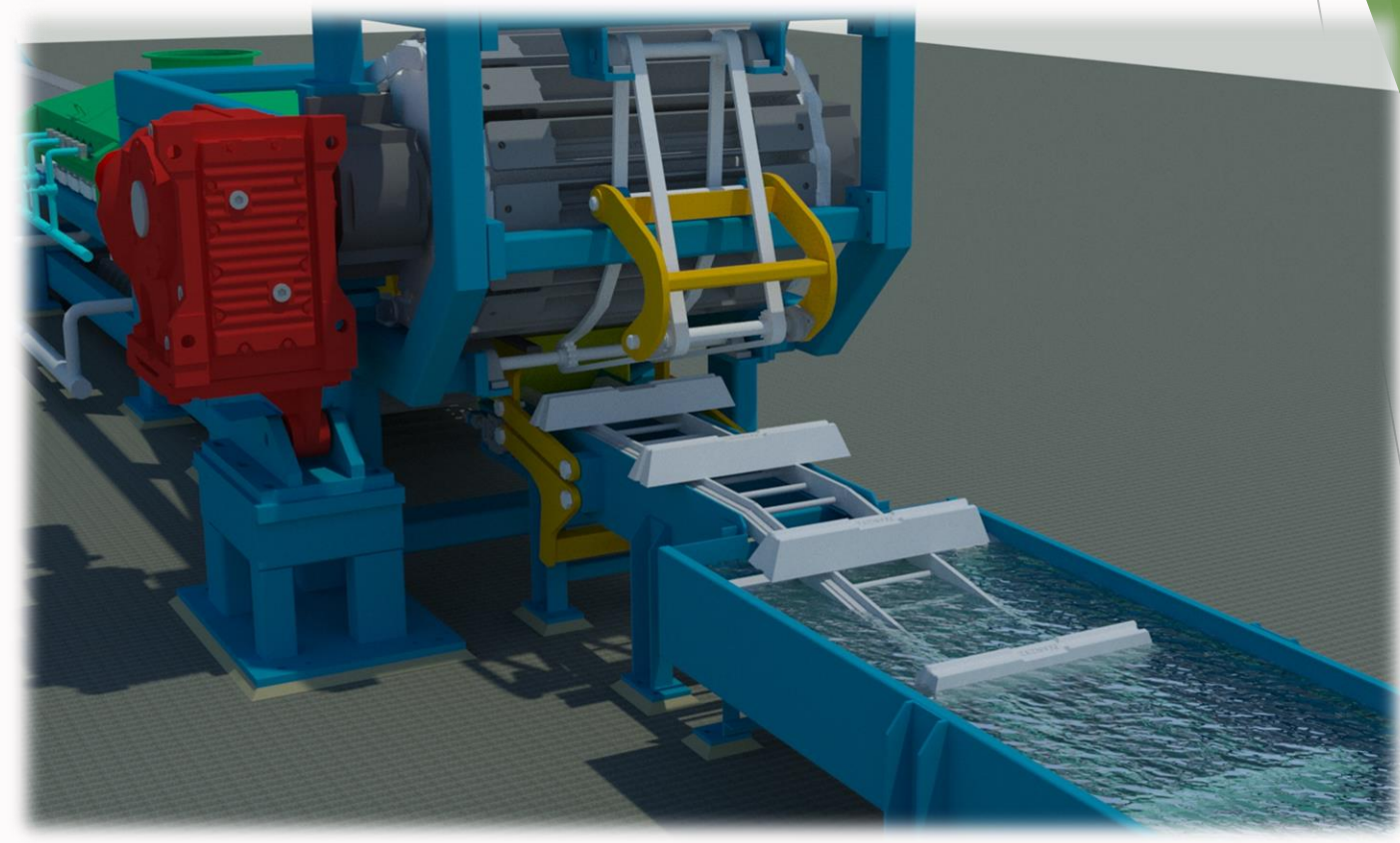
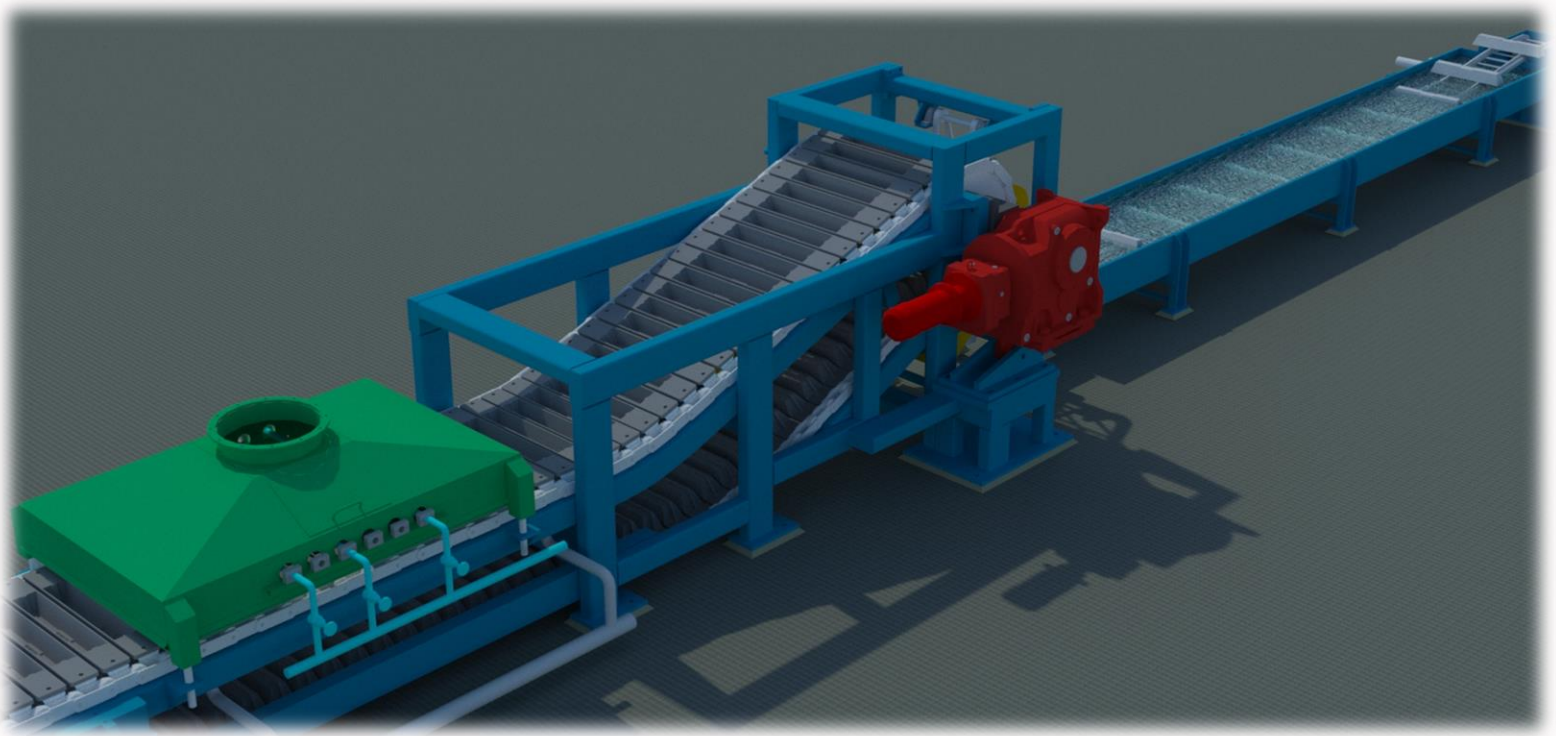
# ENGINEERING DIVISIONS



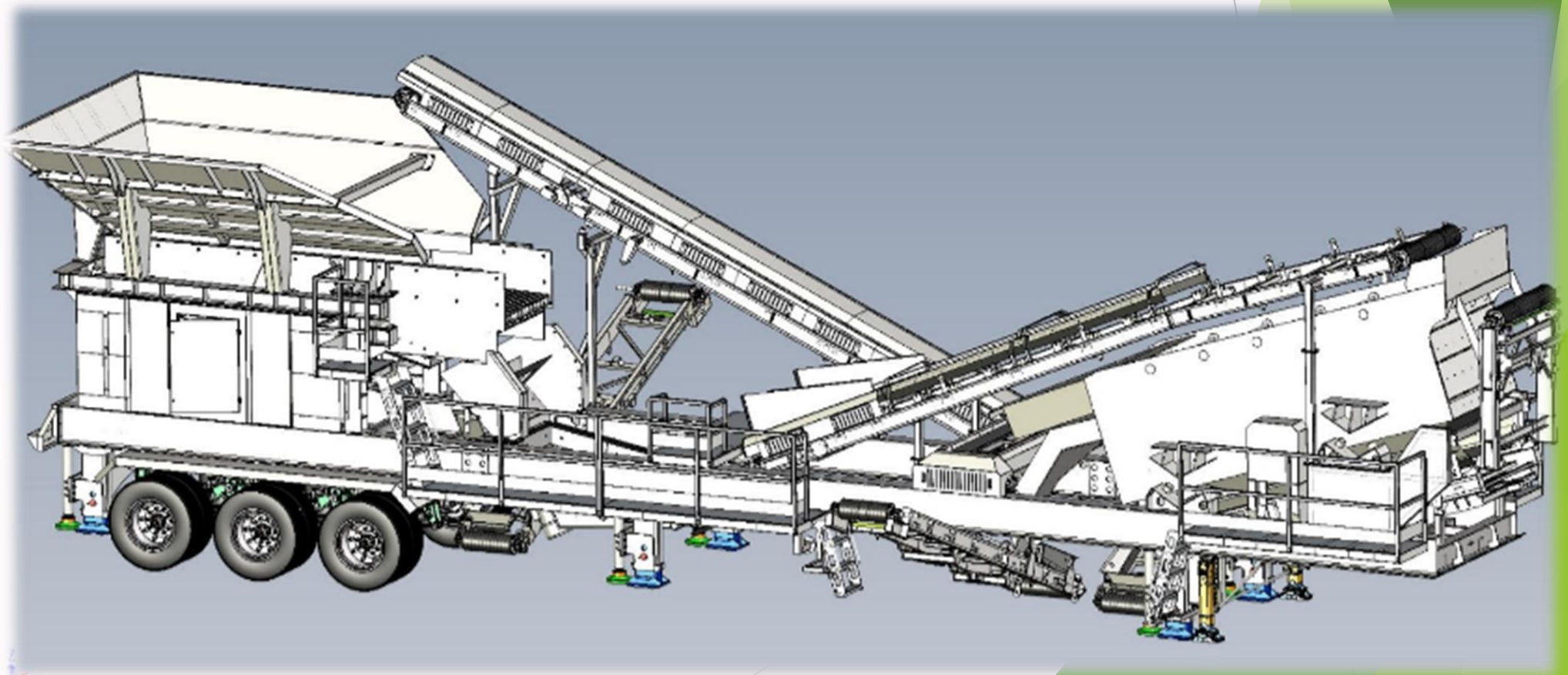
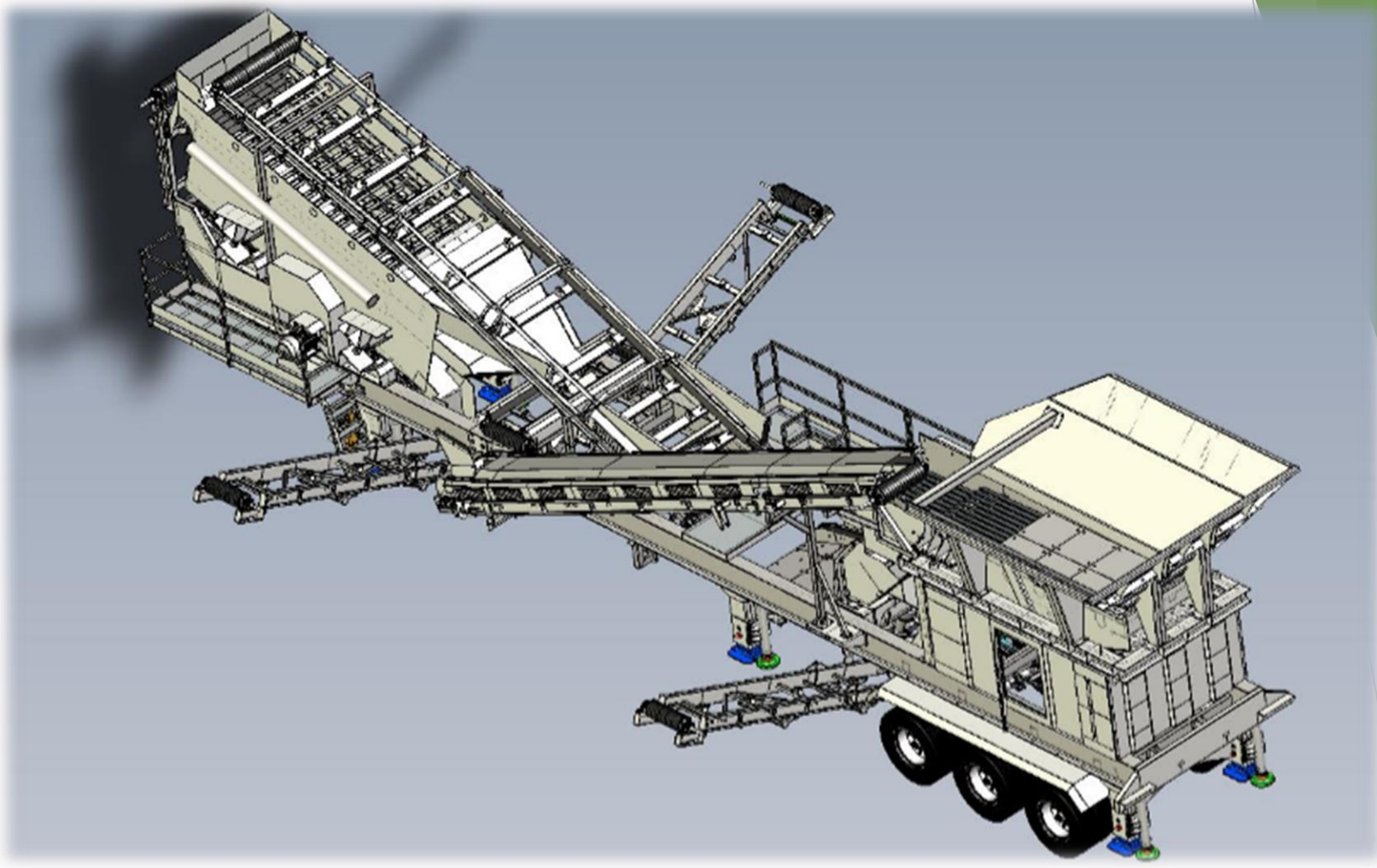
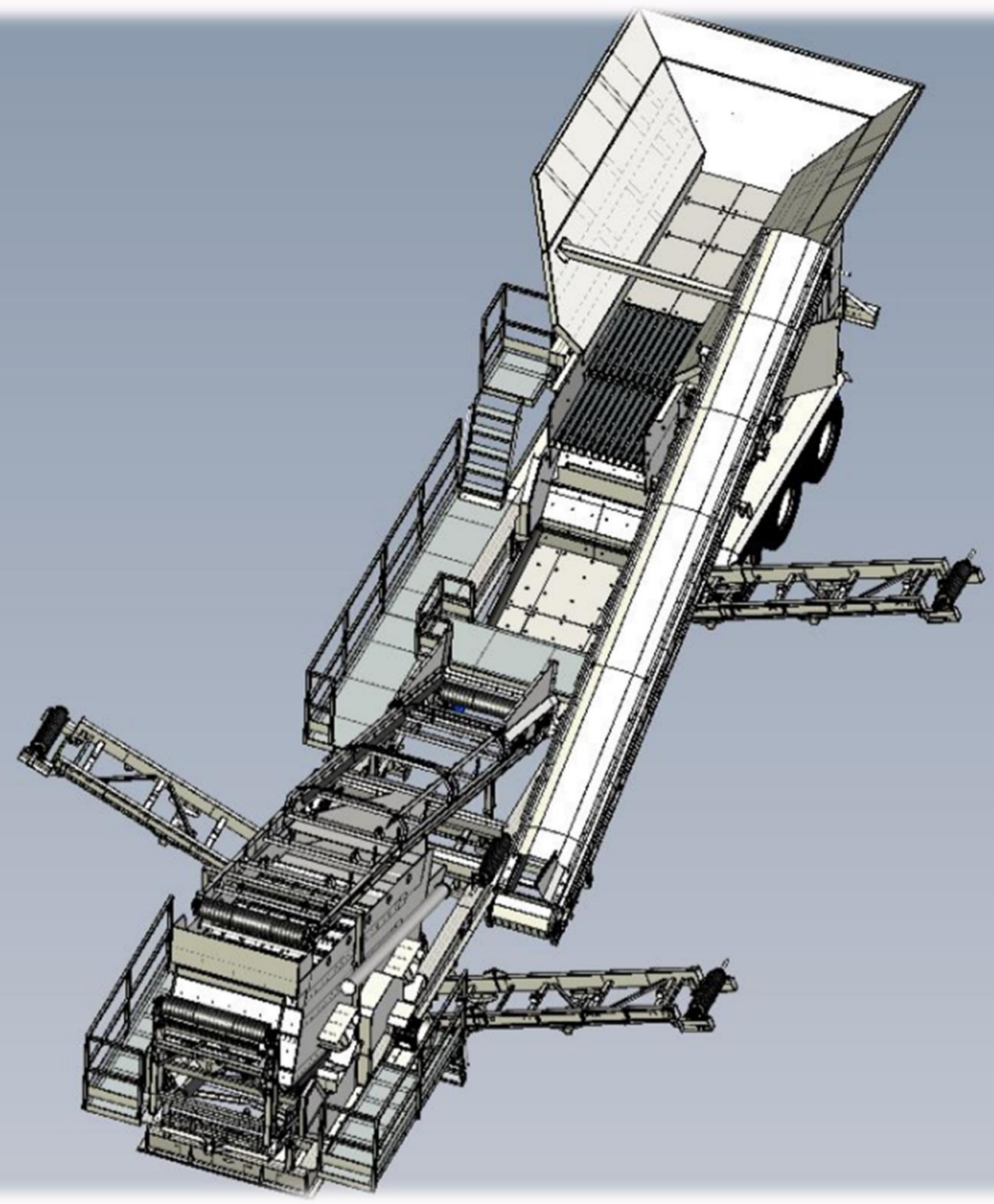
# ENGINEERING DIVISIONS



# ENGINEERING DIVISIONS



# ENGINEERING DIVISIONS





**END ELECTRONIC WASTE CHAOS!**



**ADVANCED SORTING TECHNOLOGY**



# ENGINEERING DIVISIONS

**HOPPER**

- Hardox 400 construction
- 3.8 m<sup>3</sup> capacity
- Hydraulic folding and locking for rapid set up

**POWER**

- Main power plug in with zero emissions

**VIBRATING FEEDER**

- Declined feeder to assist material flow
- Stepped grizzly section
- Hardox lined
- Operator remote control on/off

**DISCHARGE CONVEYOR**

- Powerful motorised head drum pulley
- 850 mm wide belt
- Hydraulic raise and lower for rebar clearance
- Overband magnet
- Self-cleaning spoke tail drum
- Conveyor can be lowered and removed from machine

**FINES CONVEYOR**

- 550 mm wide belt
- 2300 mm discharge height
- Self-cleaning spoke tail drum

**TRACKS**

- Proportional hydraulic control
- 3 speed tracking
- 400 mm wide

**Heavy duty shaft installed with premium bearings**

**Large 1000 mm x 650 mm feed opening**

**Motor electric drive via v-belt**

**Large Jaw ejector cylinder**

**Multiple Jaw die options**

**Bolled mainframe for strength and durability**

**Hydraulic wedge for CSS adjust (50 - 130 mm)**

**Optional deflector plate for recycling applications**

**Draw back rod with hydraulic tension system**

**TRANSPORT DIMENSIONS**

H. 10' 4" / 3200 mm    W. 8' 4" / 2550 mm    L. 44' 11" / 13,700 mm    WEIGHT. 31,500 kg

**WORKING DIMENSIONS**

H. 12' 4" / 3760 mm    W. 8' 4" / 2550 mm    W. 14' 5" / 4410 mm    L. 44' 8" / 13,615 mm    WEIGHT. 31,500 kg

**VIBRATING FEEDER**

- 940 mm wide
- Declined feeder to assist material flow
- Stepped grizzly section
- Hardox lined wear plates
- Stepped grizzly section

**HOPPER**

- Hardox construction
- 4.1 m<sup>3</sup> capacity

**CONVEYOR**

- 900 mm wide
- Powerful motorised head drum pulley

**FINES CONVEYOR**

- Motor / gearbox 22 kW
- Ply on belt Ep 500 3 Ply

**FLOWFORGE FLOORING**

- Galvanised walkway and handrails

**Heavy duty shaft installed with premium bearings**

**Large 1000 mm x 650 mm feed opening**

**Weg motor electric drive via v-belt**

**Large Jaw ejector cylinder**

**Bolled mainframe for strength and durability**

**Hydraulic wedge for CSS adjust (50 - 130 mm)**

**Optional deflector plate for recycling applications**

**Multiple Jaw die options**

**Draw-back system for simplicity**

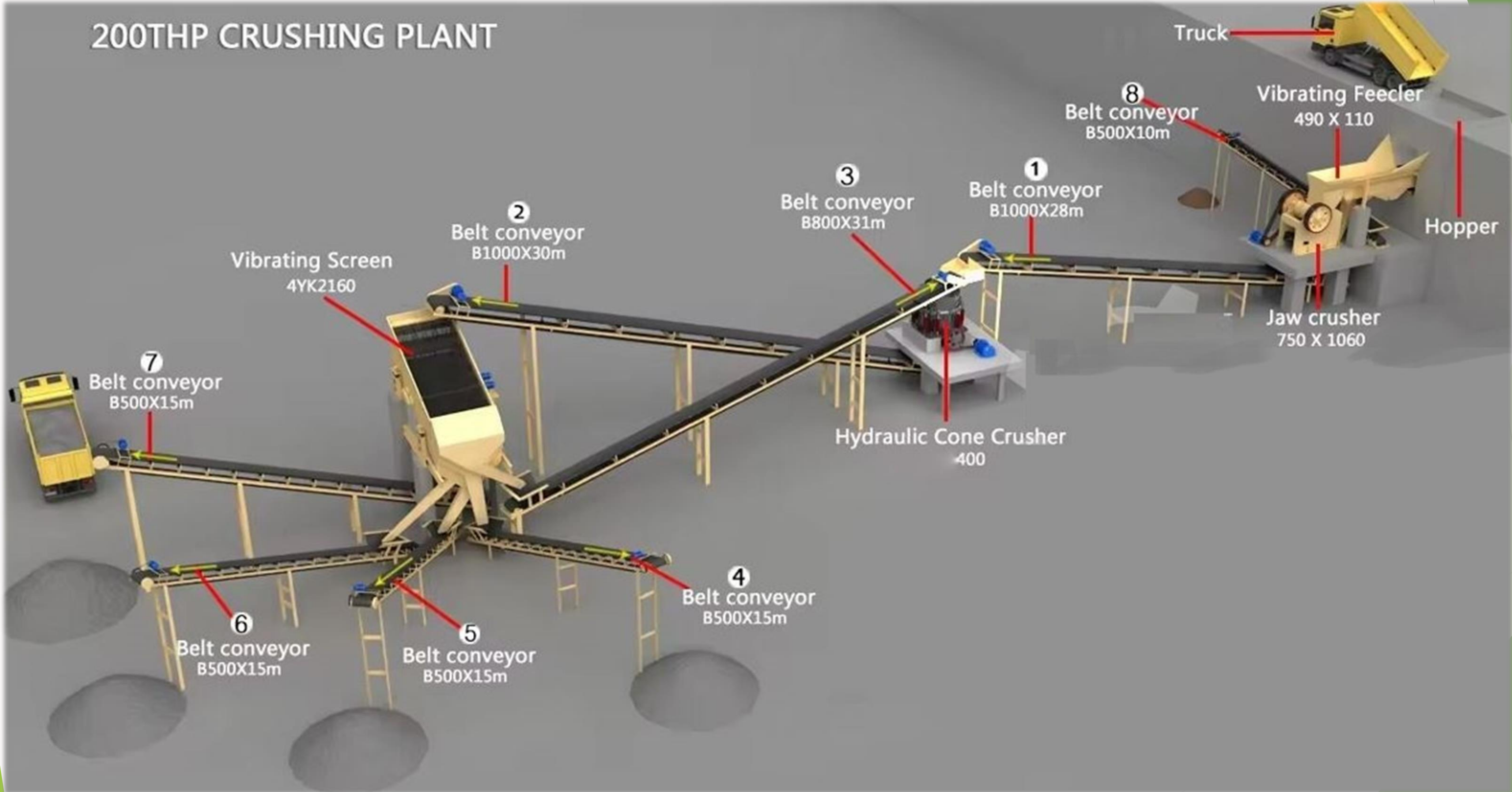
**WORKING DIMENSIONS**

H. 4530 mm    W. 7200 mm    L. 15,400 mm    WEIGHT. 26,700 kg

# ENGINEERING DIVISIONS

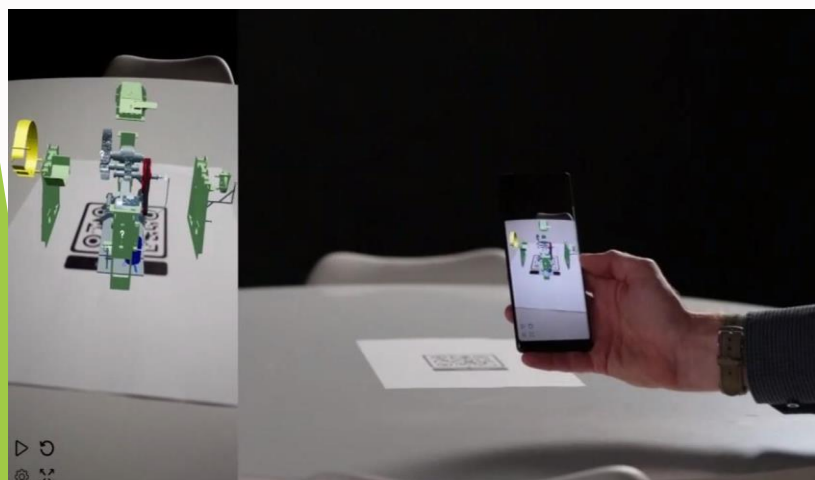
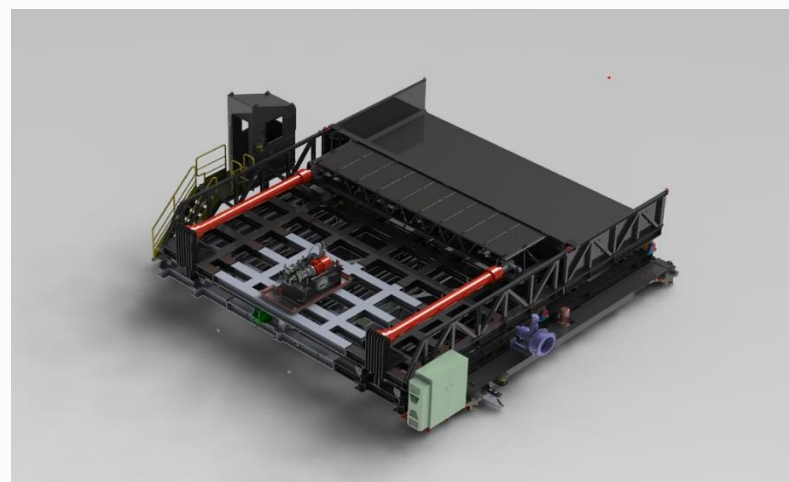


# ENGINEERING DIVISIONS



# SMART EQUIPMENT – SMART FACTORY

- Digital transform
  - We are expert and experienced in taking Essential Steps to transform a traditional production line, to a SMART Factory
- Comprehensive platform integrating:
  - Engineering documents
  - 3D graphical representative
  - Data synchronization and analysis
  - Automation levels



# SUPPLY CHAIN MANAGEMENT

With our expertise, we are able to provide Supply Chain Management in Turkey and other countries according to below processes,

- **Project Planning**
- **Project Traceability**
- **Quality Control**
- **NDT Control**
- **Project Expediting**
- **Packaging**
- **Logistic and Transportation**

# SUPERVISION SERVICES

Possibility of supervision services in the MENA Region.

In different disciplines:  
Civil, Mechanical, Electrical, Automation

- **Site Management**
- **Erection Supervision**
- **Commissioning Services**

# OUR PARTNER FACILITIES



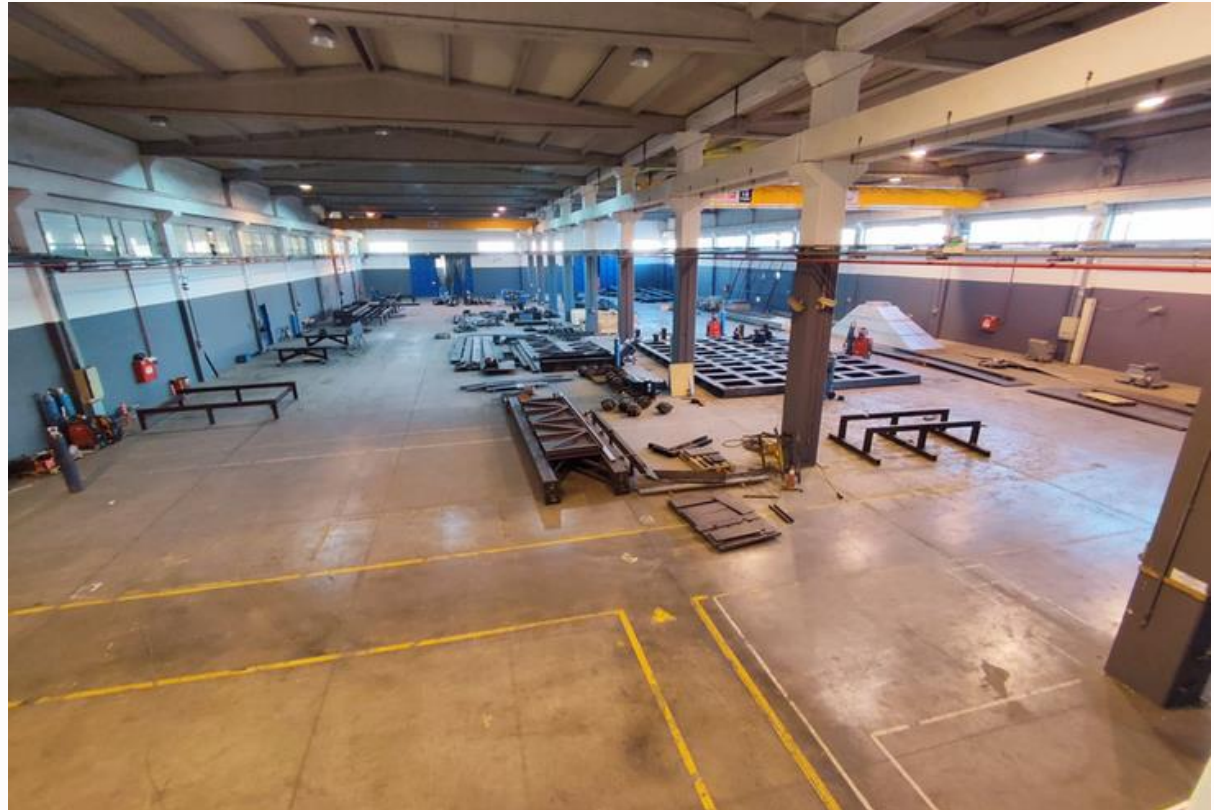
All Mechanical Assemblies, Electrical Assemblies, Piping Assemblies, FAT Tests, etc. can be conducted in our facilities in Izmir.

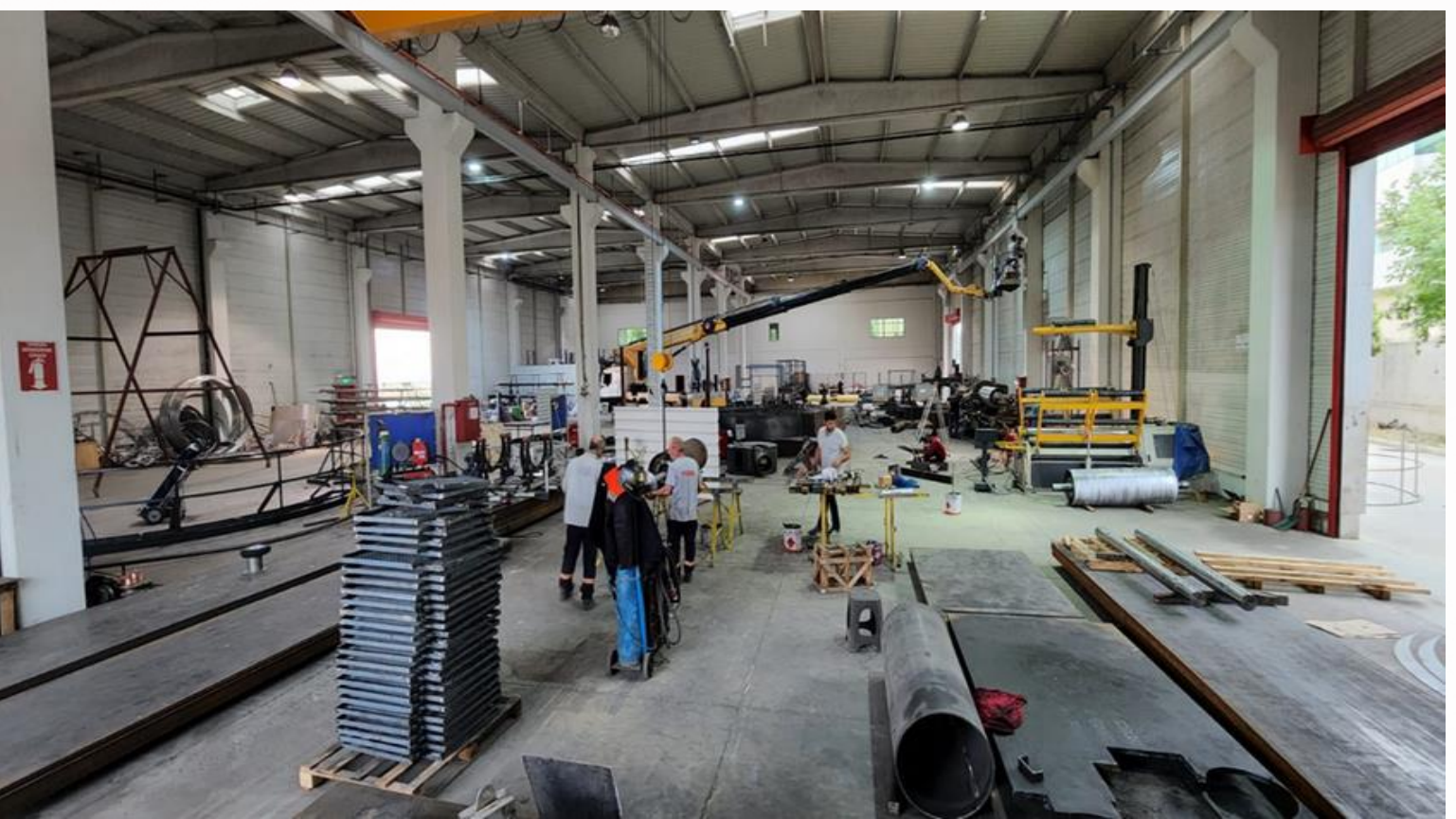
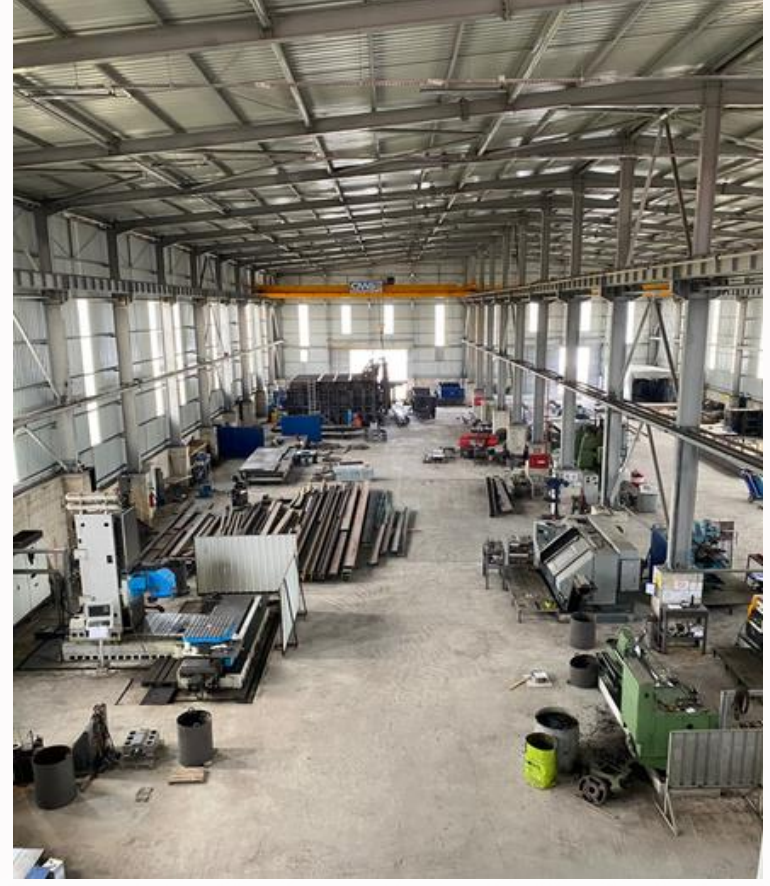
Manufacturing of different types of metal industry machinery and equipment.

Supply and Assembly of all electrical and automation components for different industrial machinery.

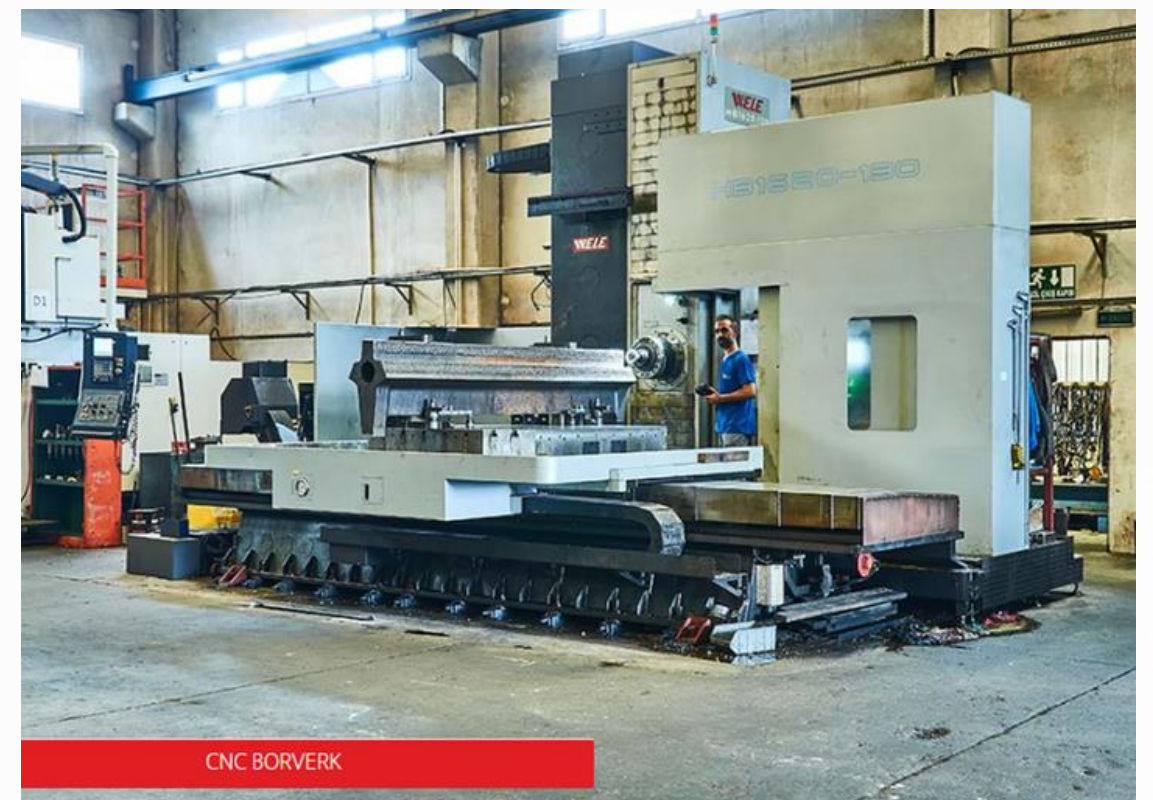


LOCATION	AREA	WORK TYPE	FABRICATION CAPACITY
İzmir/Kemalpaşa	3.000m2	Welding Process	50 TPM
İzmir/Kemalpaşa	3.500m2	Welding Process	75 TPM
İzmir/Kemalpaşa	3.000m2	Welding-Shop Assembly Process	50 TPM
İzmir/Kemalpaşa	1.000m2	Machining Process	15 TPM
İzmir/Kemalpaşa	1.000m2	Machining Process	15 TPM
İzmir/Bağyurdu	3.500m2	Welding-Shop Assembly Process	75 TPM
İzmir/Bağyurdu	3.500m2	Welding-Shop Assembly Process	75 TPM
İzmir/Bağyurdu	7.000m2	Welding-Machining Process	75 TPM
İzmir/Aliağa	5.000m2	Welding-Machining Process	50 TPM
Kocaeli/Gebze	5.000m2	Welding-Machining Process	50 TPM
Kocaeli/Gebze	3.000m2	Hydraulic Systems	-
İzmir/Bayraklı	1.000m2	Electrical Panel Fabrication	-









# GLOBAL REFERENCES & EXPERIENCES

**ANDRITZ**  
Metals

**tenova**

**insertec**  
Furnaces & Refractories



**ASMAŞ**  
Heavy Industrial Machinery Co.

35  
YEARS  
**AssanAlüminyum**

**EXERGY**

**TOSÇELİK**

**ÇEBİTAŞ**  
DEMİR ÇELİK ENDÜSTRİSİ A.Ş.

**ÇELSANTAŞ**

**İÇDAŞ**

**FF STEEL**

**EPAŞ GRUP**

**TRAKYA DÖKÜM**

**BEISCO**  
Engineering & Machinery Industry Co.

**TUBACEX**  
GROUP

**FRISA**



**ŞİŞECAM**



**NOVARGI**

**SAYGILI**  
RULMAN

**KVC**  
otomasyon

**TOKSEL**

**ALARKO**

**Rotateknik**

Decades of  
Experience, working  
with numerous clients  
in different sectors  
and disciplines

# IRON & STEEL INDUSTRY



Project : Steel Making Plant – 750.000tpy  
capacity

Location : Europe

Scope :

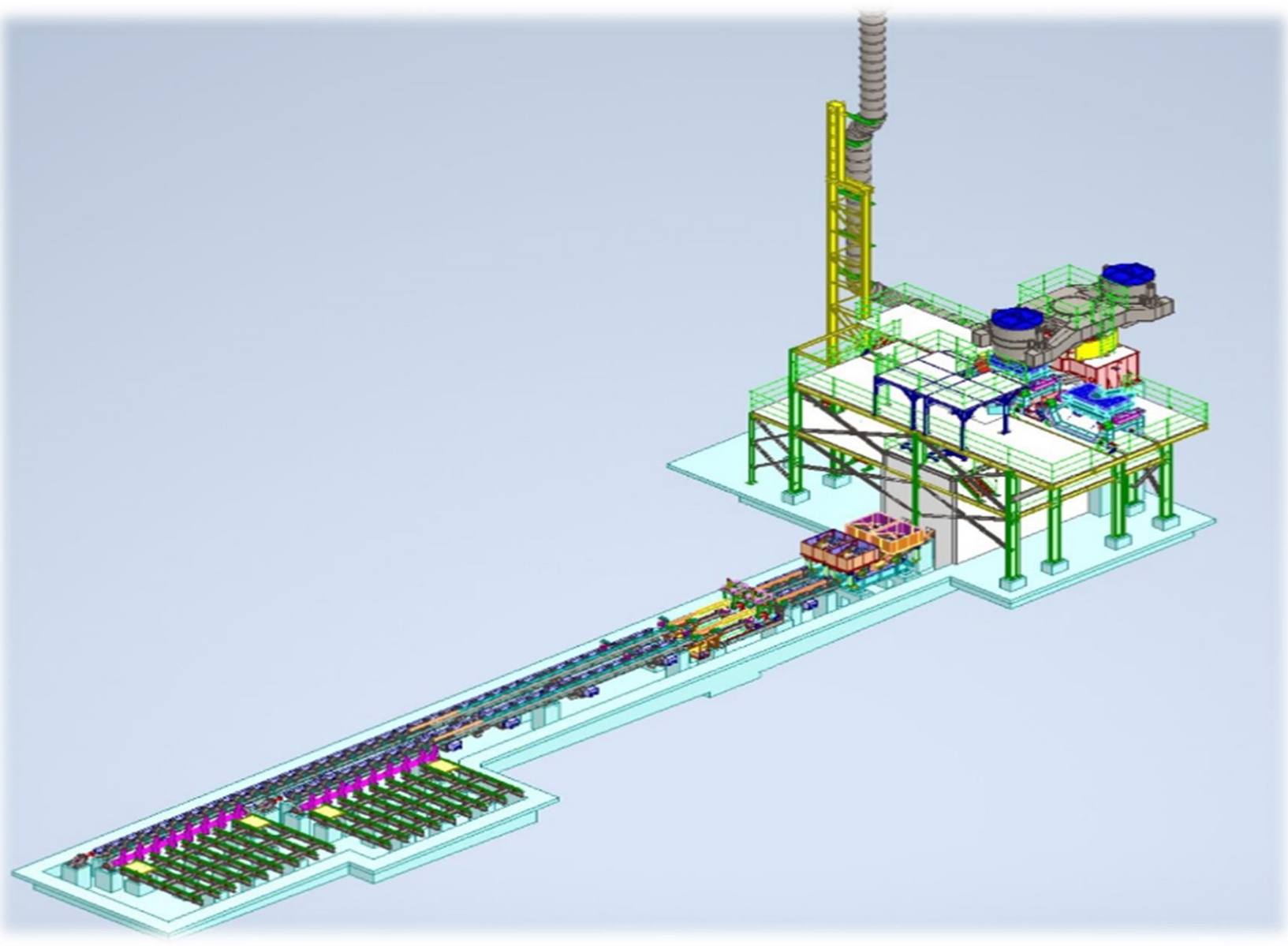
- Complete Lay-out and Integration Design
- Project Management
- Raw material handling system design
- Media distribution and piping design
- Power distribution system design
- Facilities design
- Design for Oxygen Plant, WTP, Compressed air plant and Natural Gas Station



Project : Steel Making Plant - Continuous Casting Machine with 2 strands

Location : Middle East

Scope : Complete design, Partial Fabrication and Site Erection & Commissioning Service



Project : Steel Making Plant - Continuous Casting Machine Billet Cooling Platform with 6 strands

Location : Turkiye

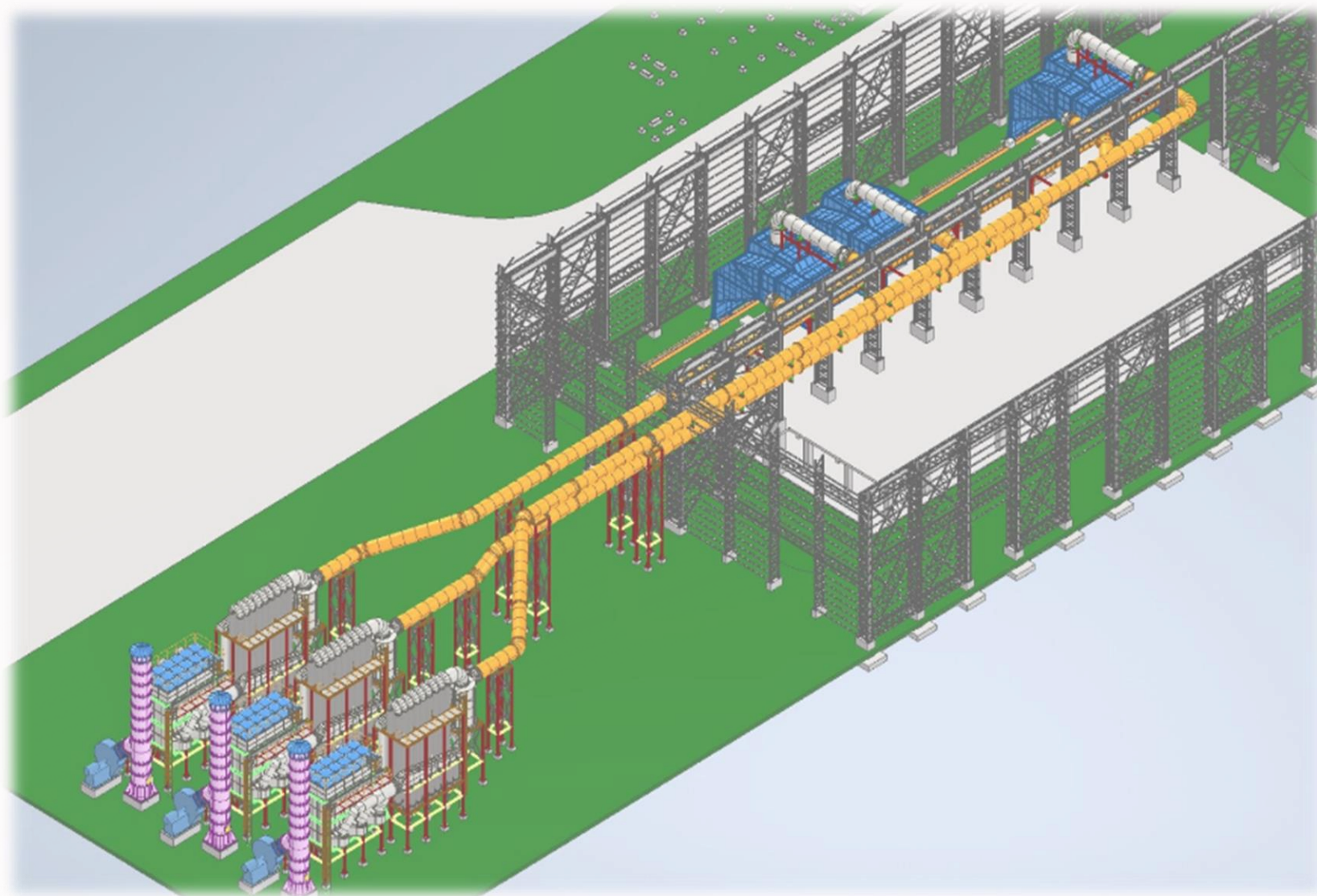
Scope : Complete design and Partial Fabrication



Project : Steel Making Plant - Dedusting System 1.500.000m<sup>3</sup>  
capacity with building steel structures

Location : Middle East

Scope : Complete design, Partial Fabrication and Site Erection  
Service



Project : Steel Making Plant – EAF Roof and  
Ducts

Location : India

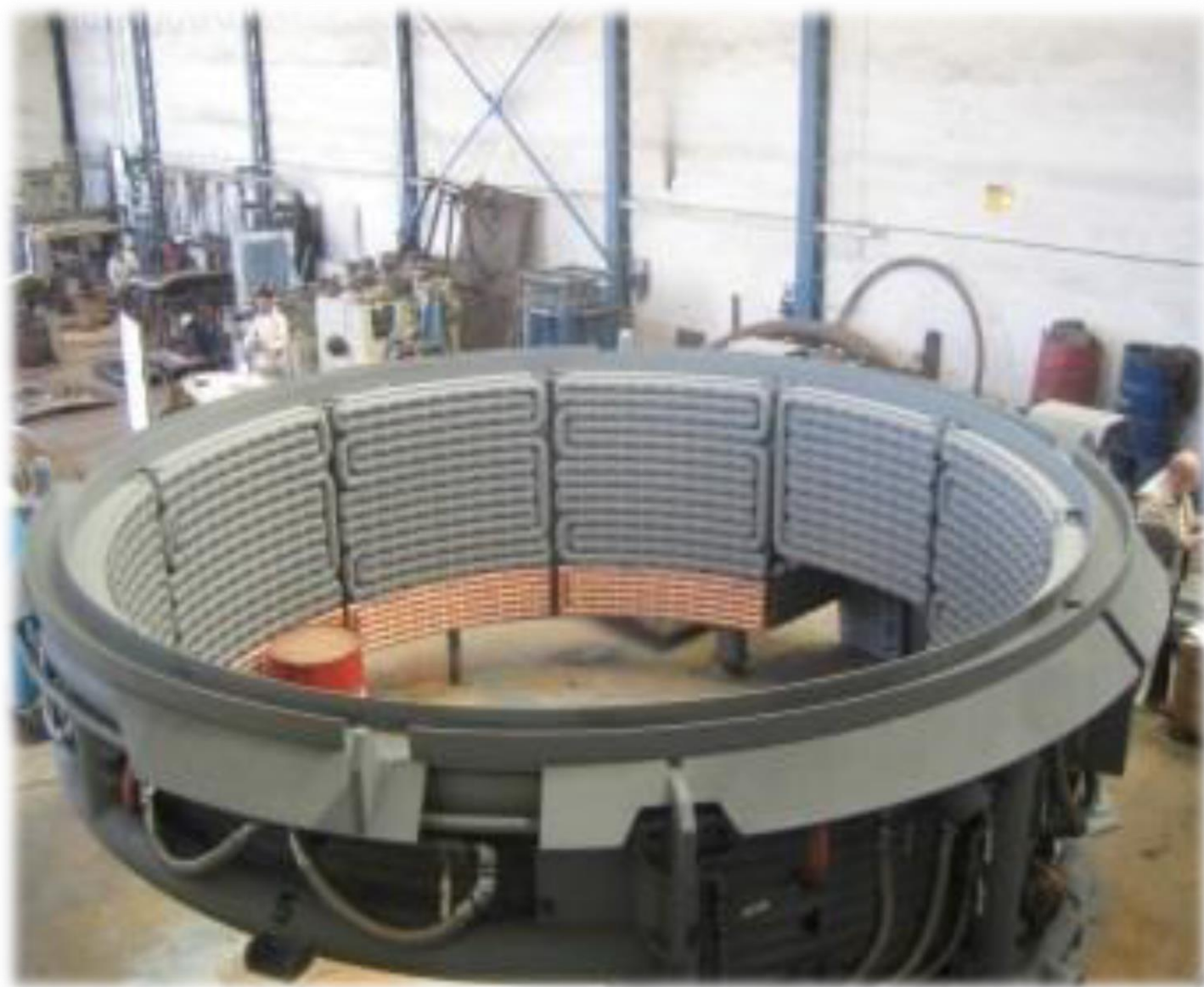
Scope : Complete Fabrication



Project : Steel Making Plant – EAF Upper Shell and Copper Pannels

Location : Türkiye

Scope : Complete Fabrication



Project : Steel Making Plant – EAF Lower Shell  
and Platform

Location : Middle East Region

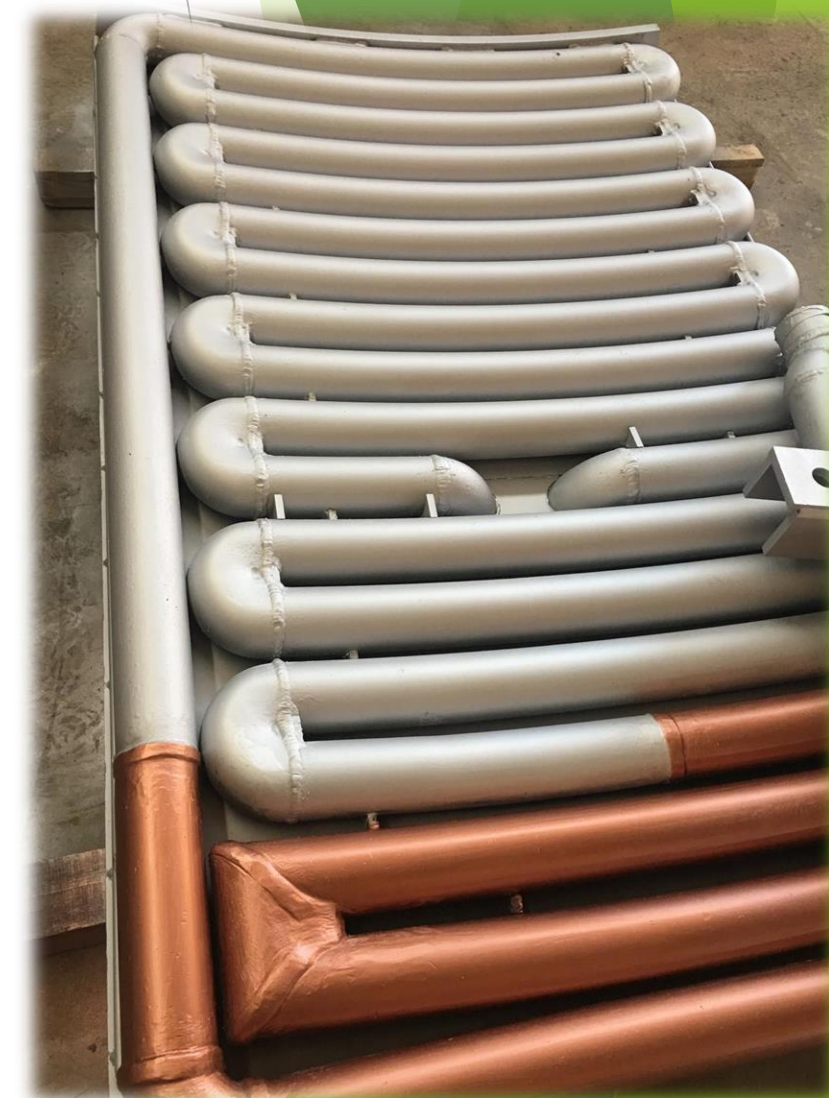
Scope : Complete Fabrication



Project : Steel Making Plant – EAF and LF  
Roofs and Copper Panels

Location : Georgia

Scope : Complete Fabrication



Project : Steel Making Plant - Dedusting System 1.000.000m3 capacity with building steel structures

Location : Georgia

Scope : Complete design and Fabrication



Project : Steel Making Plant – 700.000tpy capacity

Location : Europe

Scope :

- Raw material handling system design
- Media distribution piping design
- Power distribution system design
- Facilities design



Project : Rigid Dummy Bar Storage Units, CCM Tundish Car and Chain Dummy Bar

Location : Europe

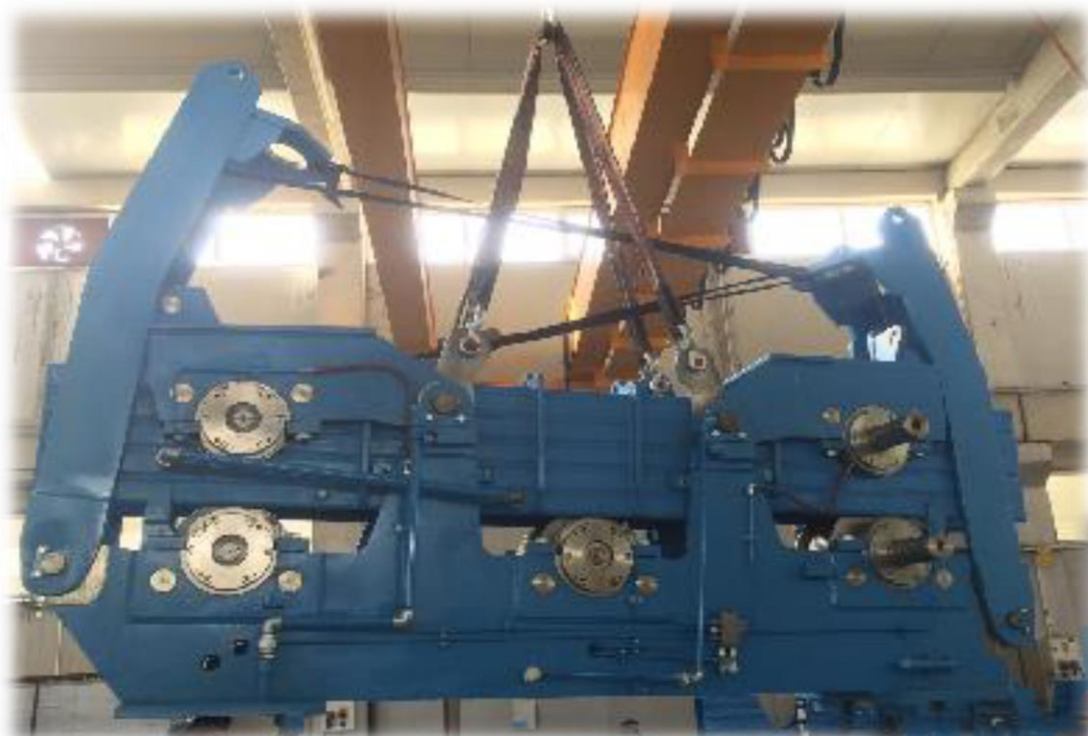
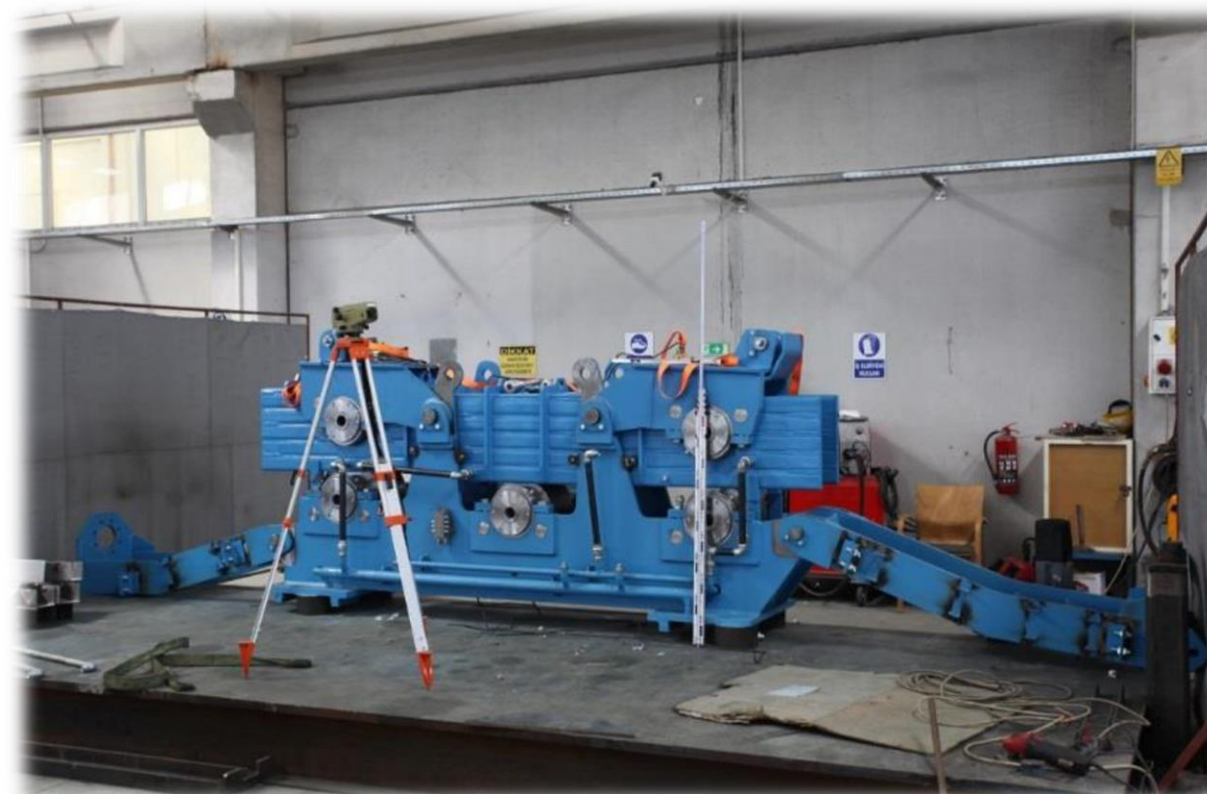
Scope : Complete Fabrication



Project : Withdrawal & Straightening Units

Location : Europe

Scope : Complete Fabrication



Project : Ladle Shroud Manipulator

Location : Europe

Scope : Complete Fabrication



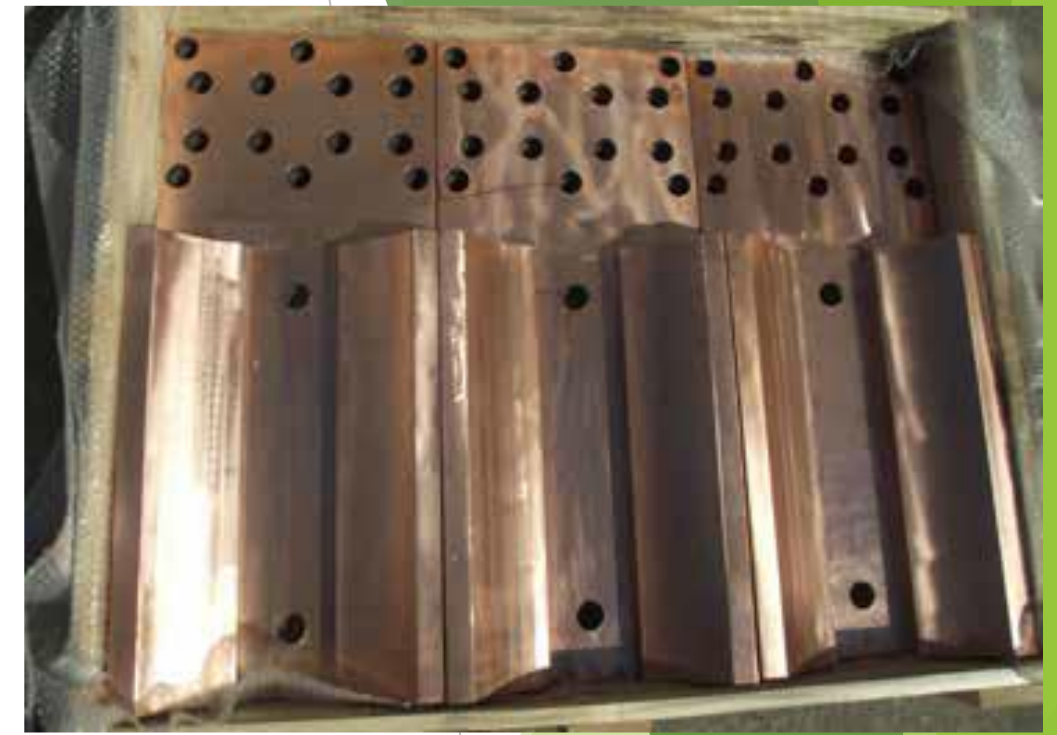
Project : CCM Segments

Location : Europe, Türkiye

Scope : Complete Fabrication



Project : Electrode Arms, Holders, Segment,  
Oscilation Mechs, Mould Parts and S-ways  
Location : Middle East Region  
Scope : Complete Design and Fabrication



Project : Scrap Bucket, Scrap Grab, Ladles,  
Ladle Transfer Cars and Tundish Car

Location : India

Scope : Complete Design and Fabrication



Project : Rolling Mill Plant – 500.000tpy Rebar Mill (8-32mm)  
and 500.000tpy Medium Section Mill (NPU, IPN, HEA, HEB)

Location : Middle East Region

Scope : Complete design, Partial Fabrication and Site Erection  
& Commissioning Supervision Service



Project : Rolling Mill Plant – 60tph and 80tph Walking  
Beam Type Reheating Furnace for Rebar and Section Mill

Location : Türkiye and Middle East Region

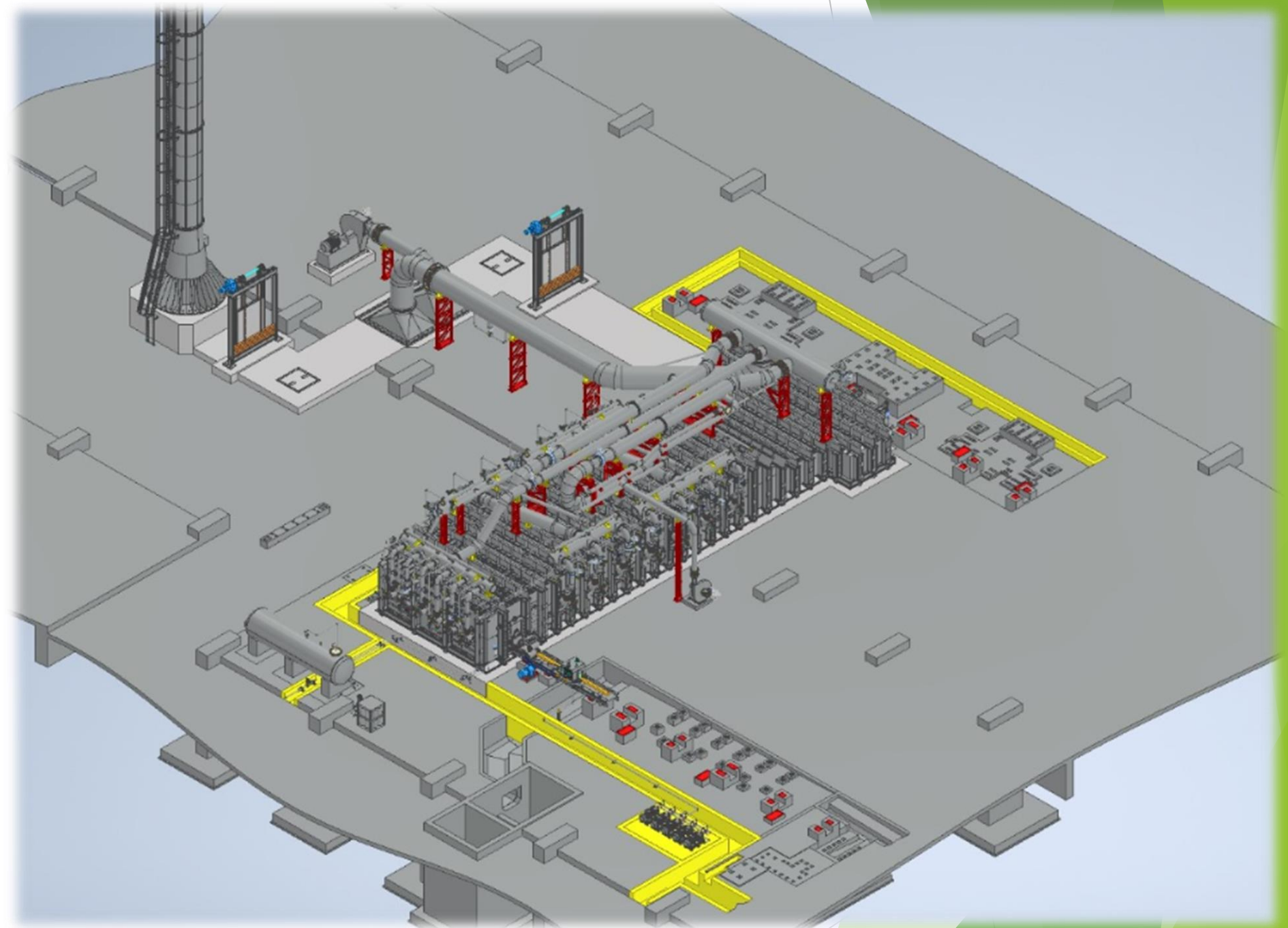
Scope : Complete design, Fabrication and Site Erection  
Supervision Service



Project : Rolling Mill Plant – 90tph Pusher Type  
Reheating Furnace

Location : Saudi Arabia

Scope : Complete design



Project : Rolling Mill Plant – 60tph Pusher Type Reheating Furnace

Location : Middle East Region

Scope : Complete design, Fabrication and Site Erection Supervision Service



Project : Rolling Mill Plant – 90tph and 100tph Pusher Type Reheating Furnace

Location : Georgia and Middle East Region

Scope : Complete design, Fabrication and Site Erection  
Supervision Service



Project : Rolling Mill Plant – 350.000tpy  
Rebar Mill (8-32mm) Gearboxes

Location : Türkiye

Scope : Complete design and Fabrication



Project : Rolling Mill Stands for Rebar  
Production

Location : Middle East Region

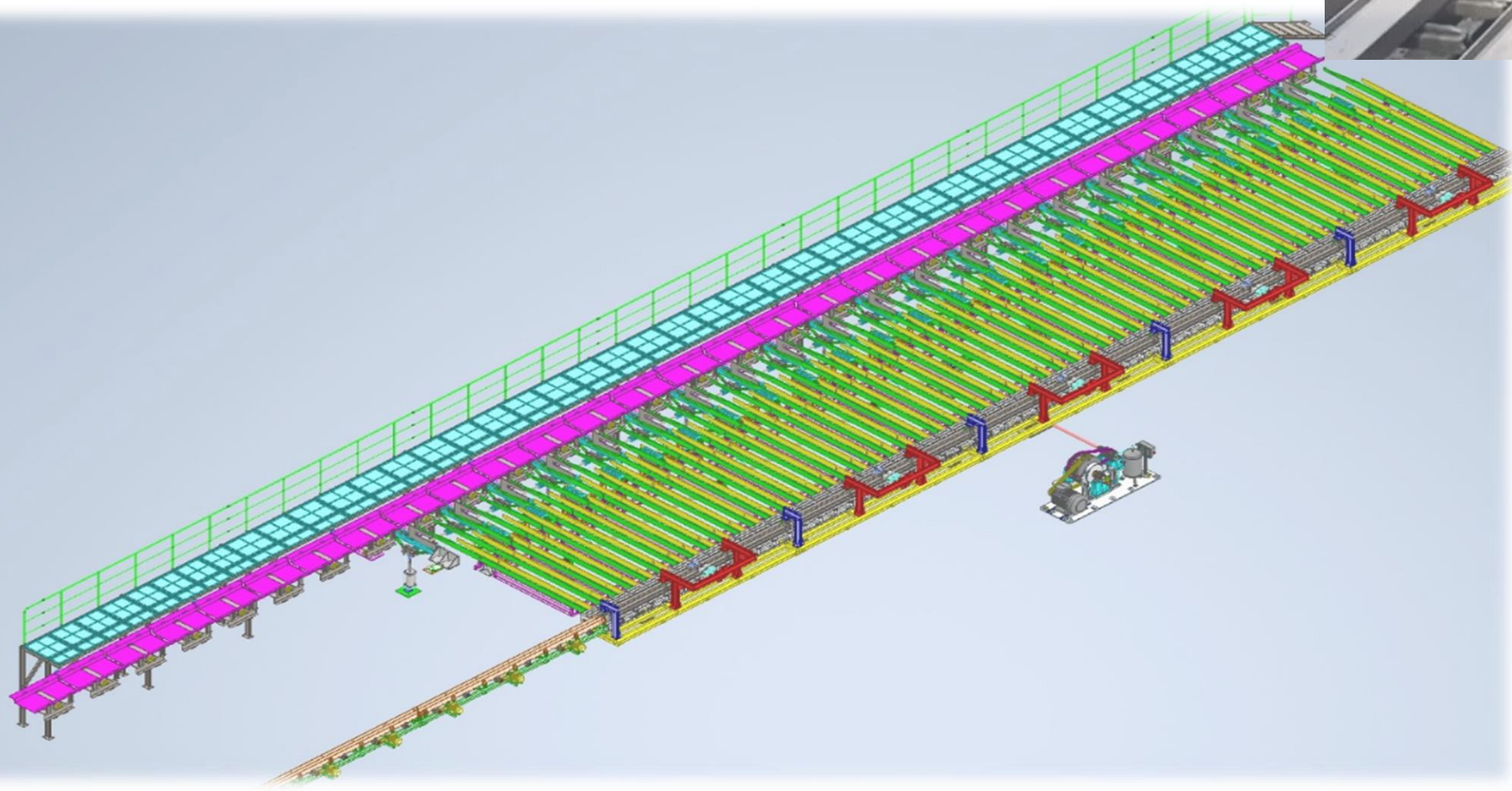
Scope : Complete design and Fabrication



Project : Section Mill Cooling Bed

Location : Georgia

Scope : Complete design, Fabrication and Site Erection Supervision Service



Project : Rake type Cooling Bed and 350ton cutting capacity Cold Shear for Rebar Mill

Location : Middle East Region

Scope : Complete design, Fabrication and Site Erection Supervision Service



Project : Finishing Shear and Stands for Rebar Rolling Mill Line

Location : Middle East Region

Scope : Complete design, Fabrication and Site Erection  
Supervision Service



Project : Finishing Shear&Cold Shear and Preparing Robot  
for Rebar Mill

Location : Middle East Region

Scope : Complete design, Fabrication and Site Erection  
Supervision Service

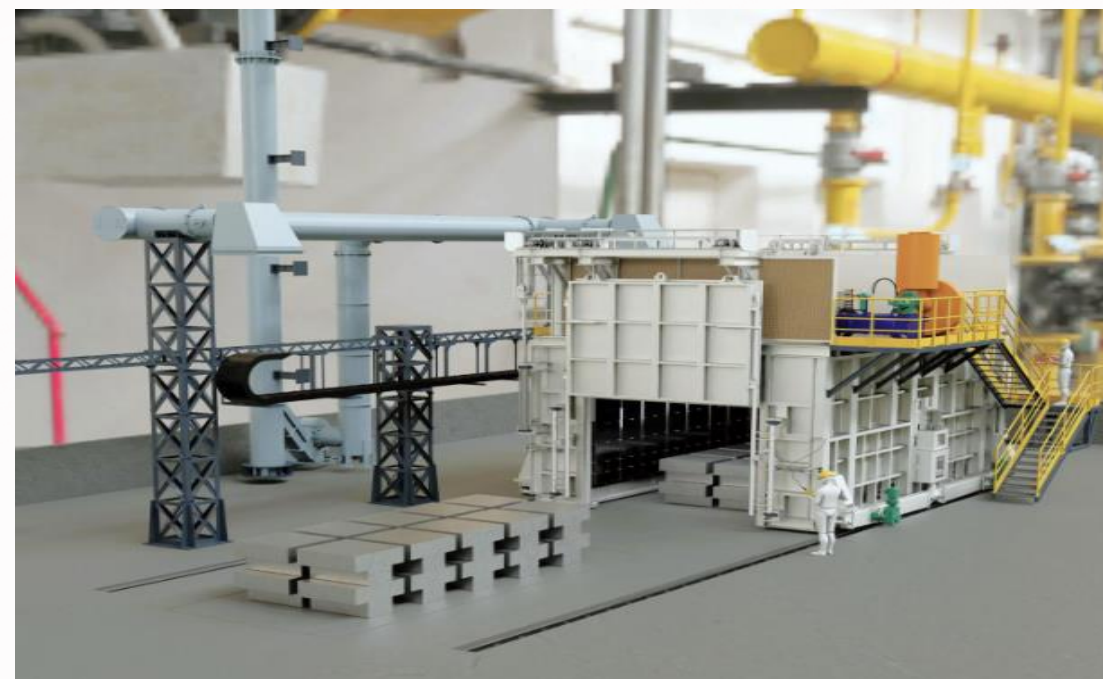


# ALUMINUM INDUSTRY

Project : Sow Dryer Furnaces (different capacities)

Location : USA – France

Scope : Complete Fabrication



Project : Melting and Holding Furnaces (different capacities)

Location : Spain – France – Norway – Colombia

Scope : Detail Design, Complete Fabrication and Site Erection Supervision Service



Project : Sidewell Furnaces (different capacities)

Location : Spain – France – Turkey

Scope : Detail Design, Complete Fabrication and Site Erection  
Supervision Service



Project : Decoating Systems (different capacities)

Location : Spain – France – Norway – Colombia – USA – Turkey

Scope : Detail Design, Partial Fabrication, Piping and Site Erection Supervision Service



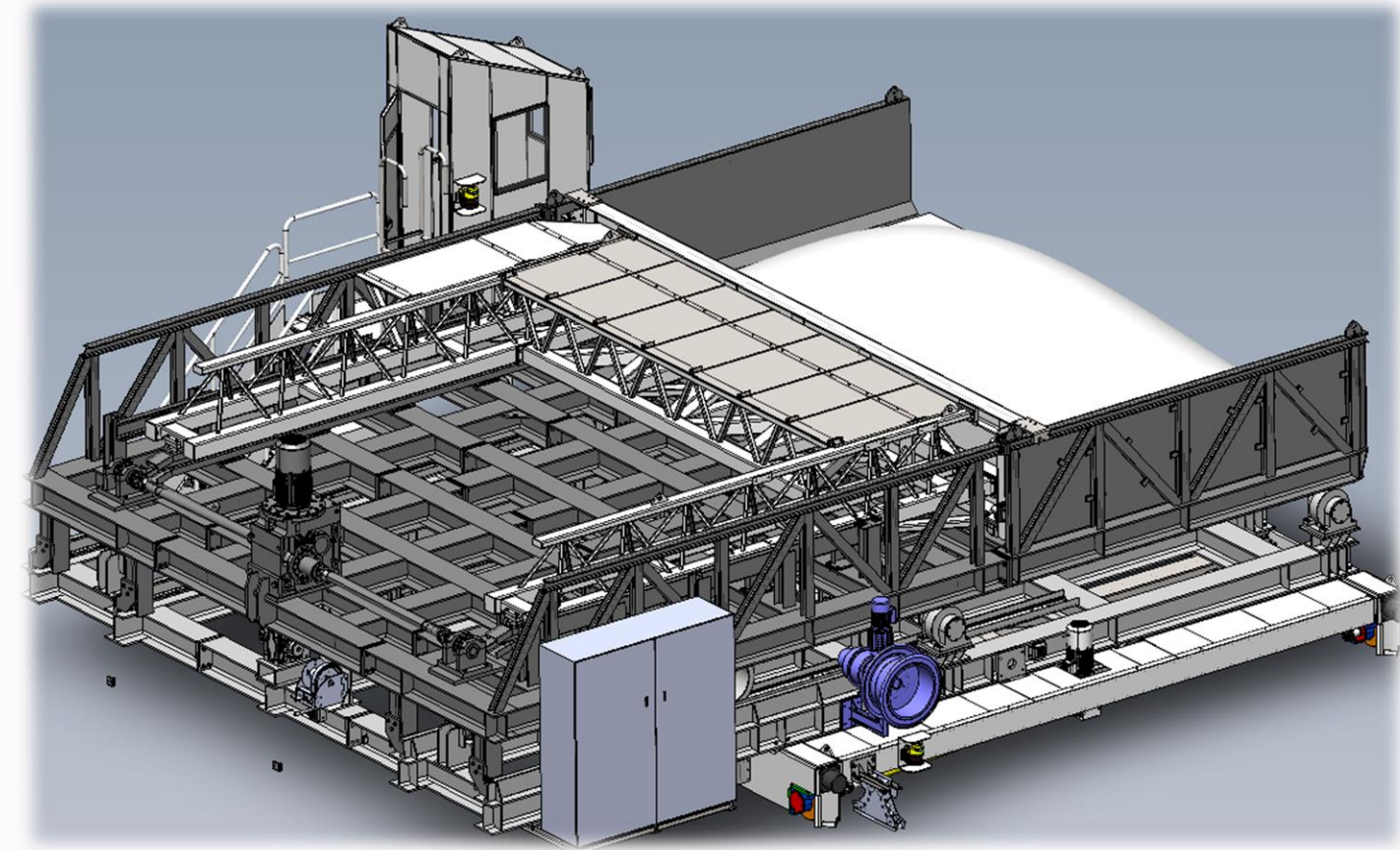
- ✓ Project : Charging Machine
- ✓ Location : Spain
- ✓ Scope :
  - Mechanical and Electrical Design
  - Media and Power Distribution System Design
  - Auxiliary Plant Definition and Basic Design
  - Complete Fabrication and Supply



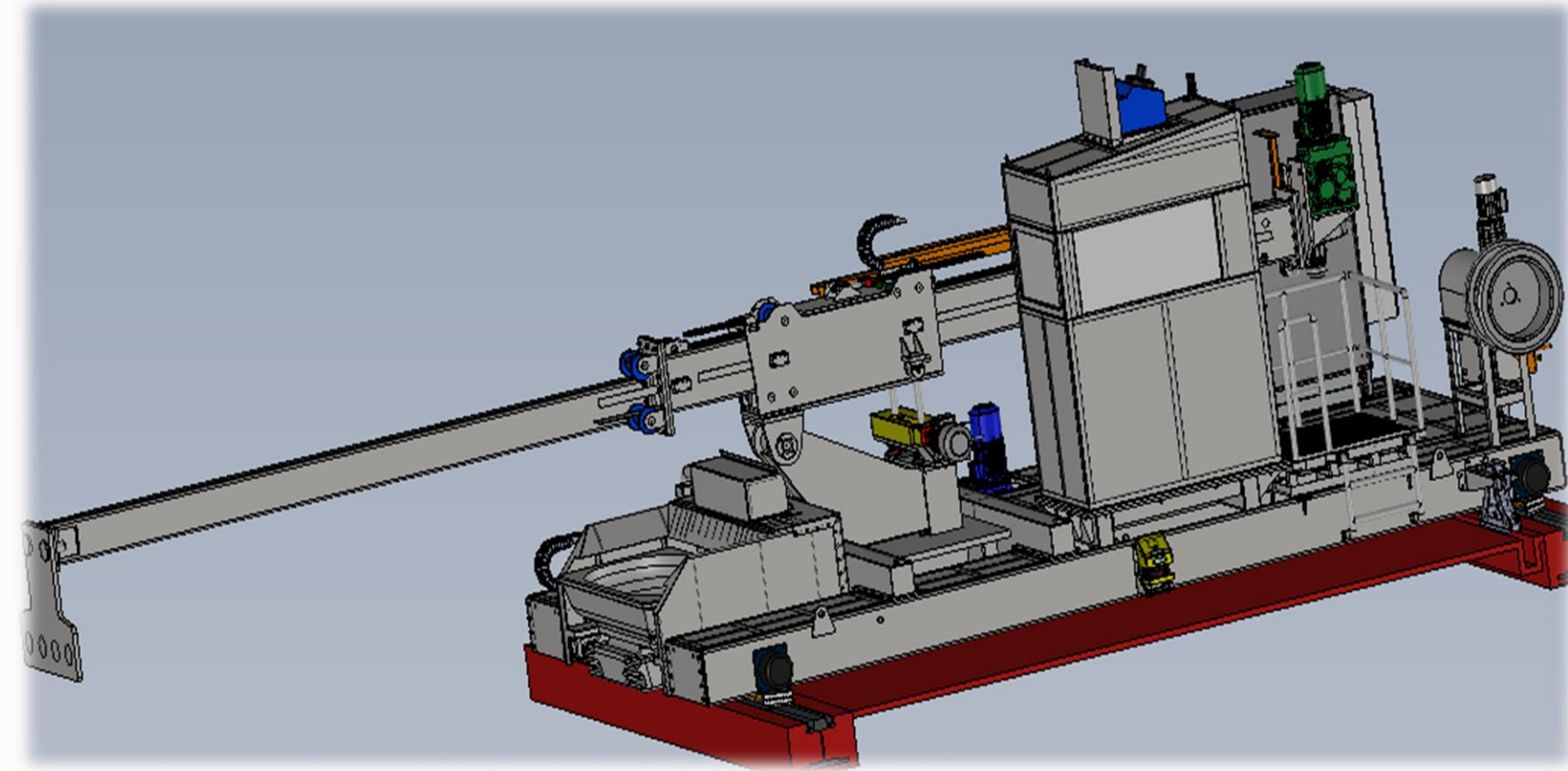
- ✓ Project : Skimming Machine
- ✓ Location : Spain
- ✓ Scope :
  - Mechanical and Electrical Design
  - Media and Power Distribution System Design
  - Auxiliary Plant Definition and Basic Design
  - Complete Fabrication and Supply



- ✓ Project : Charging Machine
- ✓ Location : Europe
- ✓ Scope :
  - Mechanical and Electrical Design
  - Media and Power Distribution System Design
  - Auxiliary Plant Definition and Basic Design
  - Complete Fabrication and Supply



- ✓ Project : Skimming Machine
- ✓ Location : Europe
- ✓ Scope :
  - Mechanical and Electrical Design
  - Media and Power Distribution System Design
  - Auxiliary Plant Definition and Basic Design
  - Complete Fabrication and Supply



- ✓ Project : Skimming Machine
- ✓ Location : Europe
- ✓ Scope :
  - Mechanical and Electrical Design
  - Media and Power Distribution System Design
  - Auxiliary Plant Definition and Basic Design
  - Complete Fabrication and Supply



# MINING & CEMENT INDUSTRY



- ✓ Project : Stone block saw machine
- ✓ Location : Turkey
- ✓ Scope :
  - Mechanical and Electrical Design
  - Media and Power Distribution System Design
  - Auxiliary Plant Definition and Basic Design
  - Site Erection and Commissioning Supervision Service

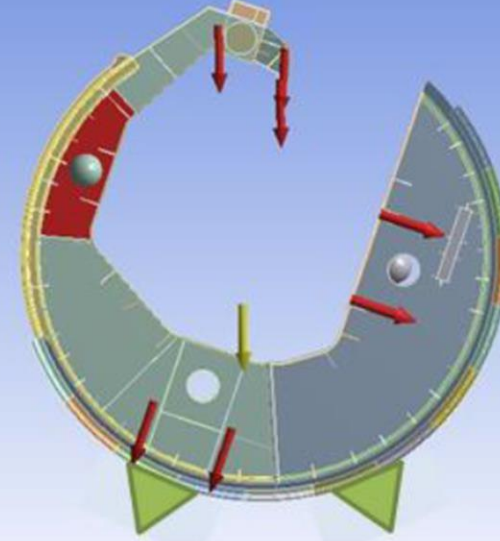


- ✓ Project : Wagon Unloading System
- ✓ Location : Middle East
- ✓ Scope :
  - Complete Lay-out Design
  - Mechanical & Electrical Design
  - Partial supply & fabrication
  - Site Erection Supervision Service

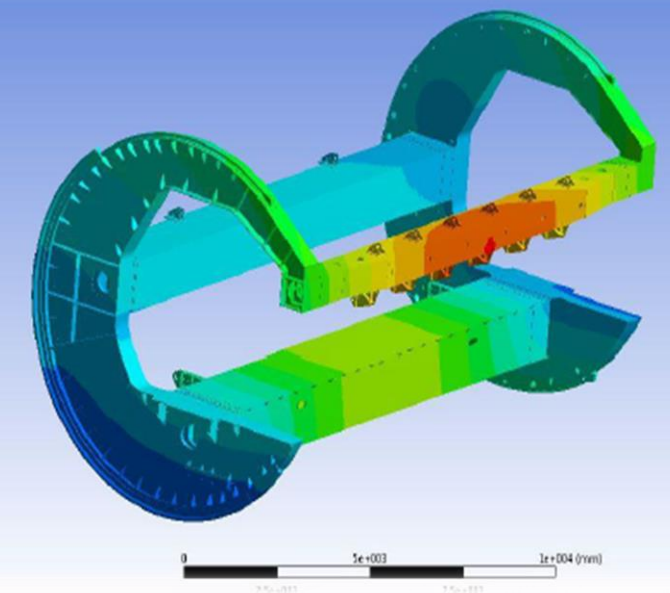


1) Fatigue Load Case 3  
 Static Structural  
 Time: 1 s  
 Items: 18 of 91 indicated  
 23/08/2012 09:23

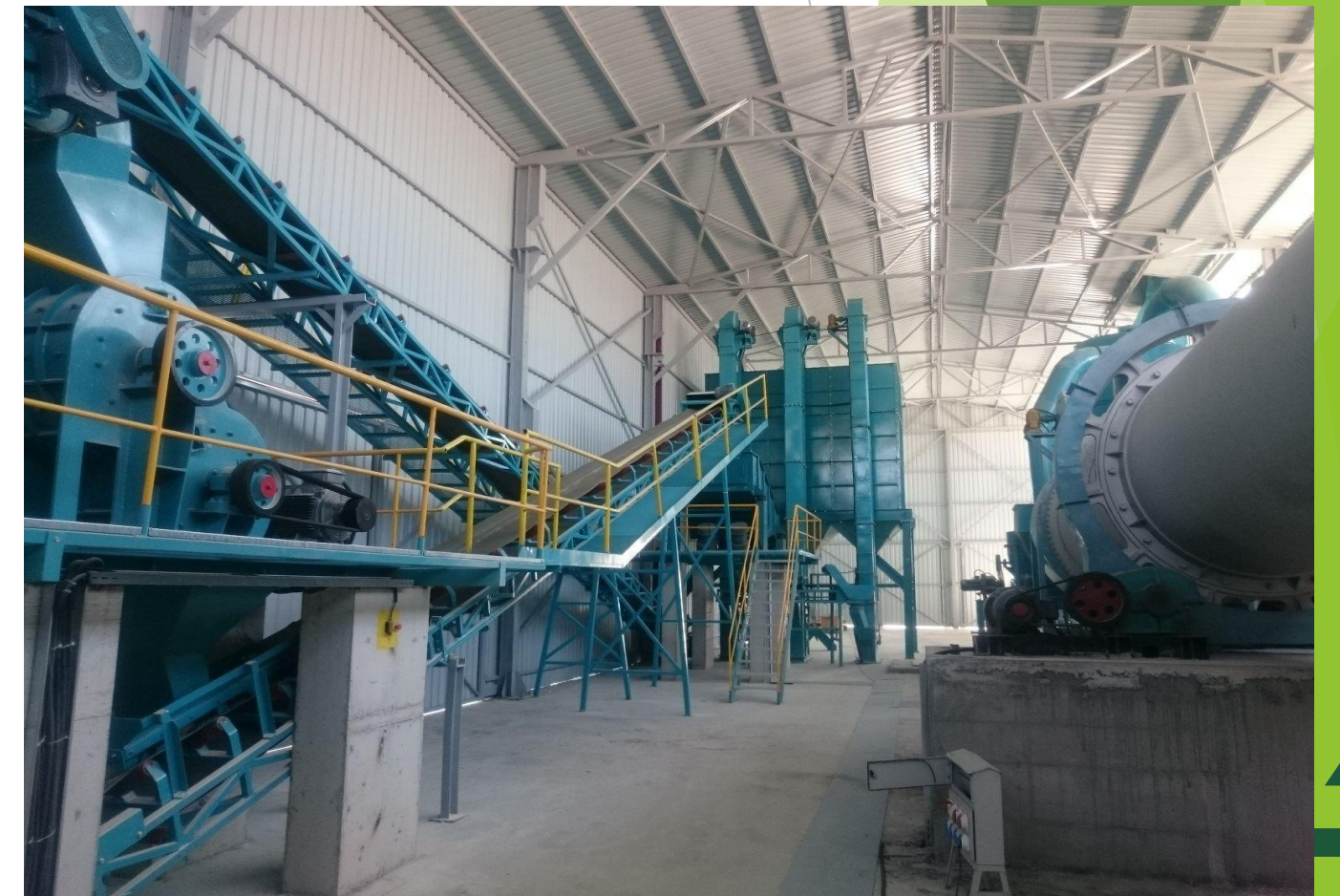
- A Point Mass - Access
- B Standard Earth Gravity: 9806.6 mm/s<sup>2</sup>
- C Cylindrical Support: 0 mm
- D Remote Displacement
- E Remote Displacement 2
- F Remote Displacement 3
- G Remote Displacement 4
- H Bearing Load - Sidepad and clamp gear mass on sidebeam: 27836 N
- I Bearing Load - Sidepad and clamp gear mass on sidebeam 2: 27836 N
- J Bearing Load - Sidepad and clamp gear mass on sidebeam 3: 27836 N



1) Fatigue Load Case 1  
 Total Deformation  
 Type: Total Deformation  
 Unit: mm  
 Item: 1  
 15/08/2012 12:05



- ✓ Project : 500-1000tons per day Cement Plant and Equipment
- ✓ Location : Turkey
- ✓ Scope :
  - Complete Lay-out Design
  - Civil and Steel Structure Design
  - Mechanical and Electrical Design
  - Media and Power Distribution System Design
  - Auxiliary Plant Definition and Basic Design
  - Fabrication & Supply
  - Site Erection Supervision Service



- ✓ Project : 80tons per hour  
Stone Crushing Plant
- ✓ Location : Middle East
- ✓ Scope :
  - Complete Lay-out Design
  - Mechanical and Electrical Design
  - Fabrication & Supply
  - Site Erection Supervision Service



✓ Project : 100tons per hour  
Stone Crushing Plant

✓ Location : Middle East

✓ Scope :

- Complete Lay-out Design
- Mechanical and Electrical Design
- Fabrication & Supply
- Site Erection Supervision Service



- ✓ Project : 250tons per hour Stone Crushing Plant
- ✓ Location : Middle East
- ✓ Scope :
  - Complete Lay-out Design
  - Mechanical and Electrical Design
  - Fabrication & Supply
  - Site Erection Supervision Service



# ENERGY SECTOR

✓ Project : Filter Press

✓ Location : Turkey

✓ Scope :

- Mechanical Design
- Fabrication



✓ Project : Fertilizer energy recovery system

✓ Location : Turkey

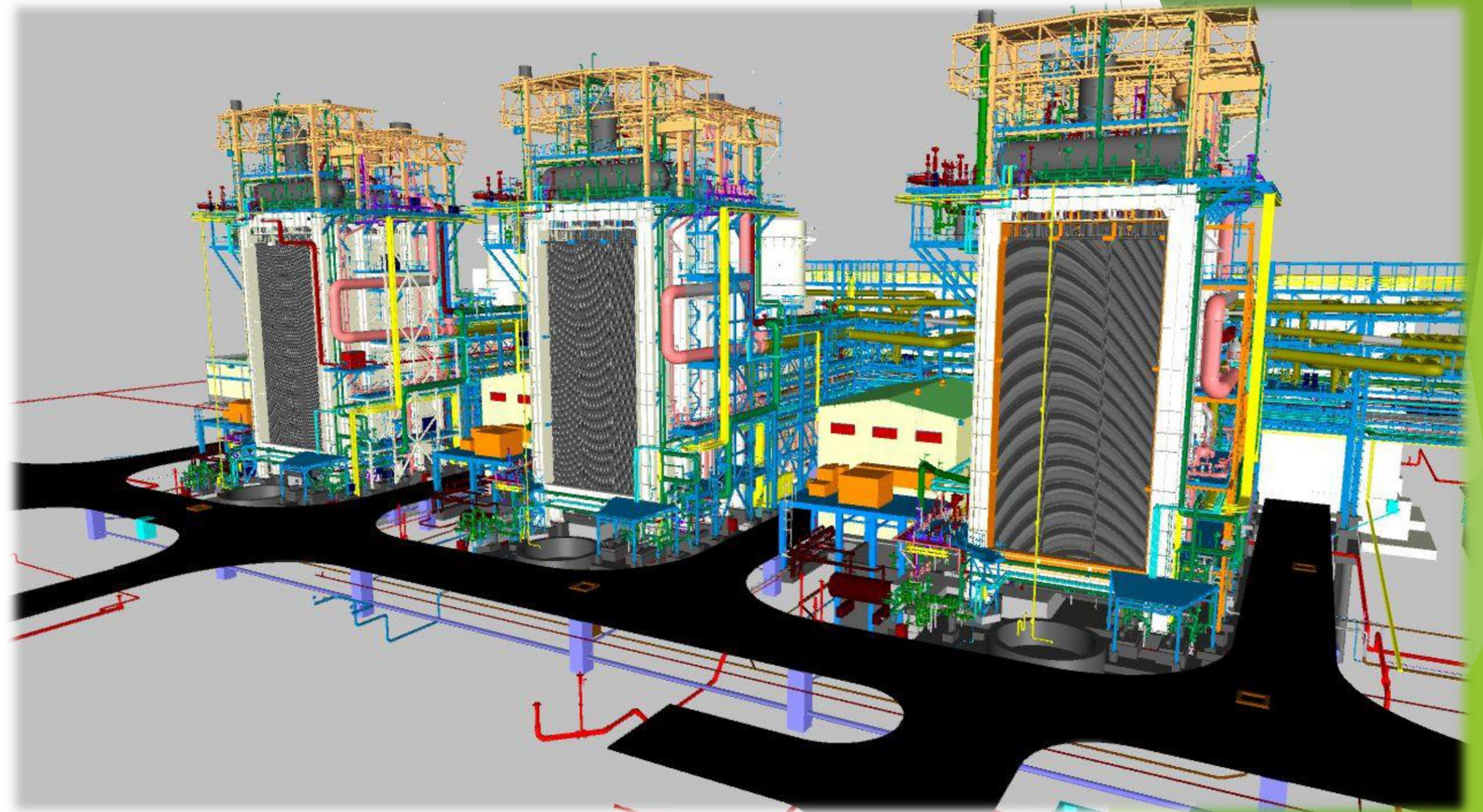
✓ Scope :

- Complete Lay-out Design
- Civil and Steel Structure Design
- Media and Power Distribution System Design
- Auxiliary Plant Definition and Basic Design
- Burner System Design
- Dedusting System Design



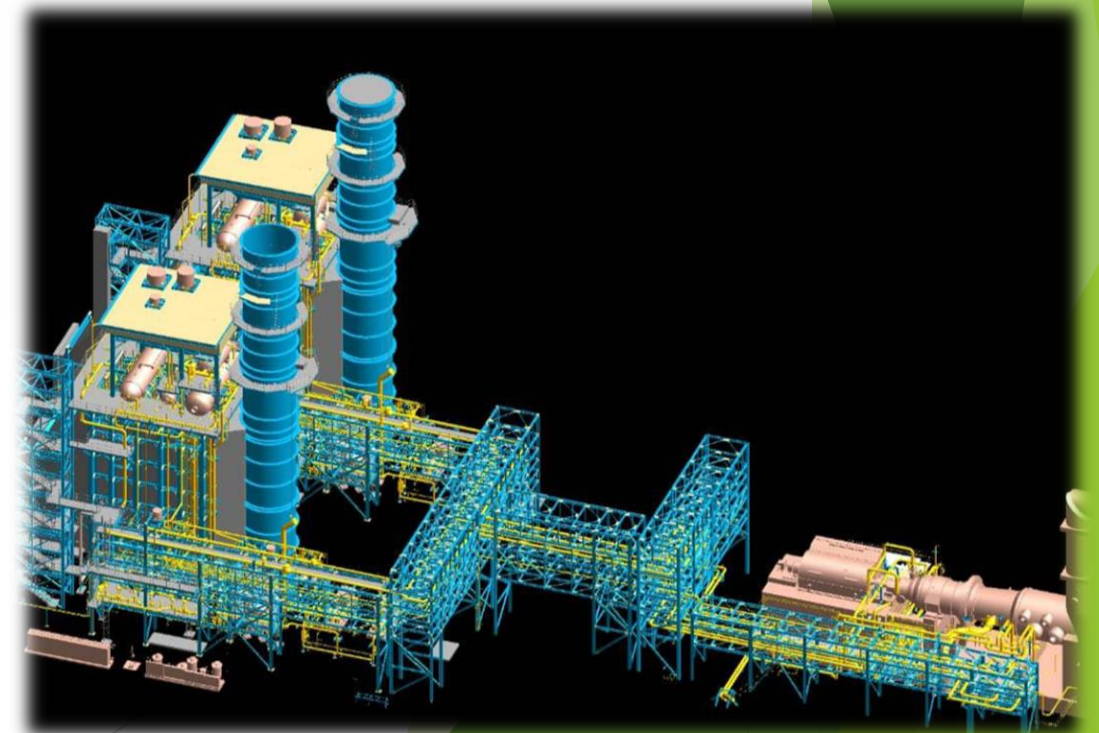
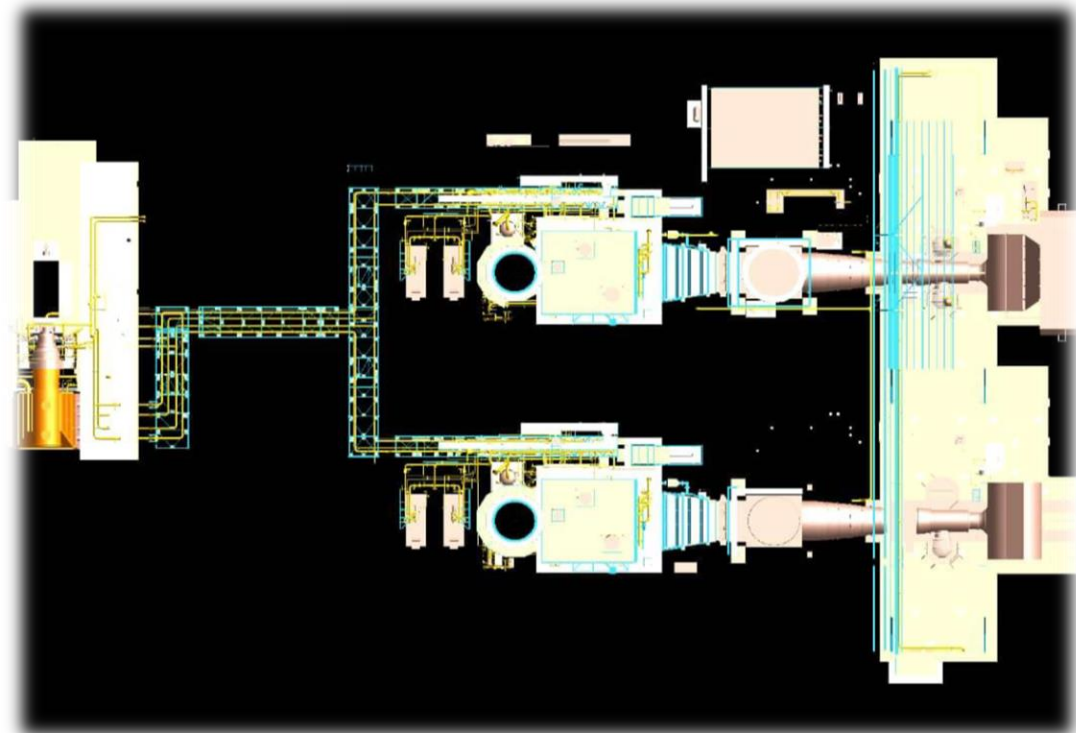
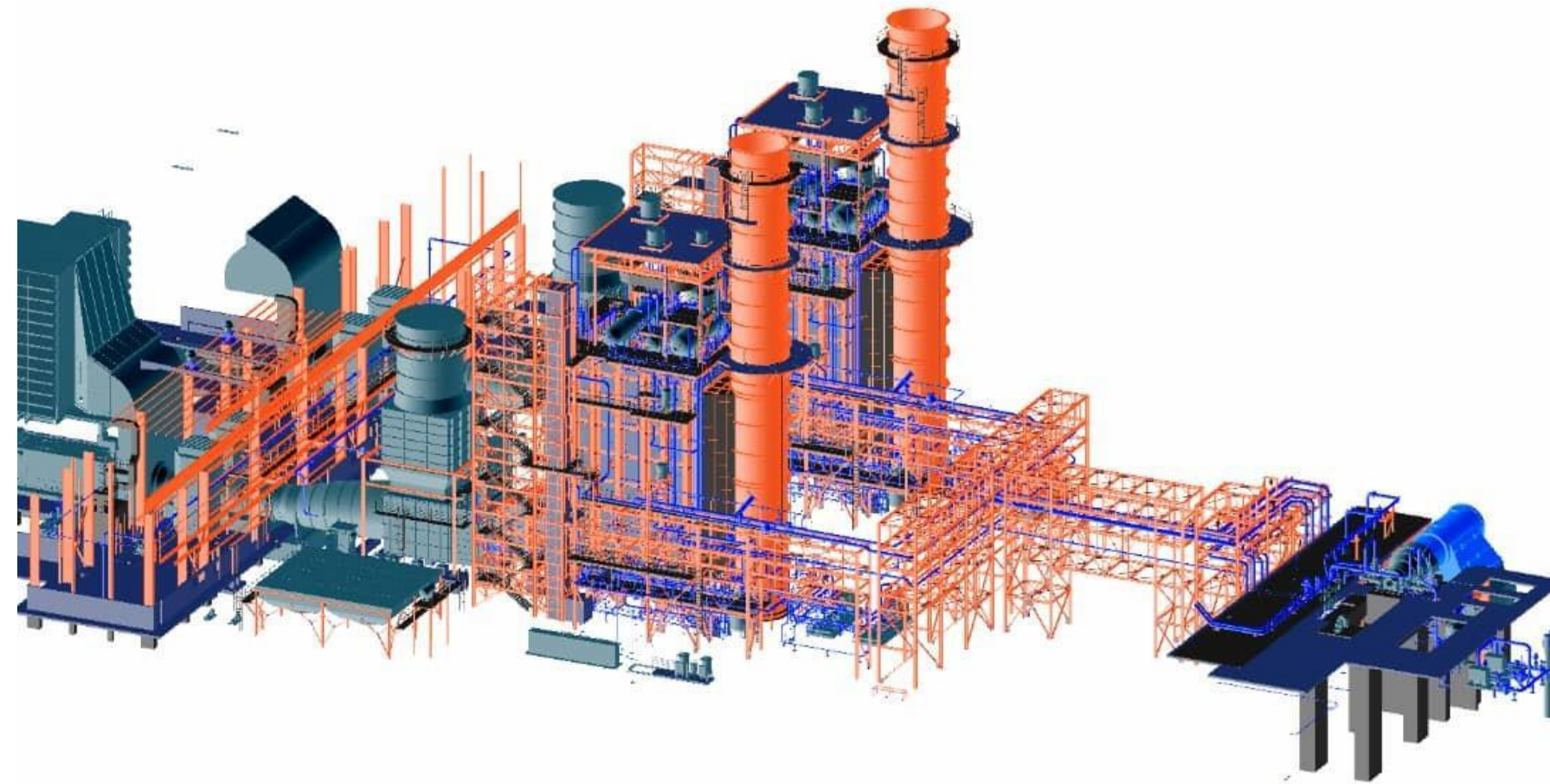
Project : Combined Cycle Power  
Plant - 1700 MW

- ✓ Location : Middle East
- ✓ Scope :
  - Piping and Steel Structure Design
  - Partial Fabrication and Supply



## Project : Combined Cycle Power Plant - 500 MW

- ✓ Location : Middle East
- ✓ Scope :
  - Piping and Steel Structure Design



# STEEL CONSTRUCTION PROJECTS

- ✓ Project : Factory Steel Structures
- ✓ Location : Turkey
- ✓ Scope :
  - Civilworks and Steel Structure Design
  - Fabrication
  - Erection



- ✓ Project : Factory Steel Structures
- ✓ Location : Turkey
- ✓ Scope :
  - Civilworks and Steel Structure Design
  - Fabrication
  - Erection



# STEEL CONSTRUCTION PROJECTS



**BIGADIC BOR İŞLEME TESİSİ**



**KILIÇ DENİZ ÜRÜNLERİ ÜRETİM TESİSİ**



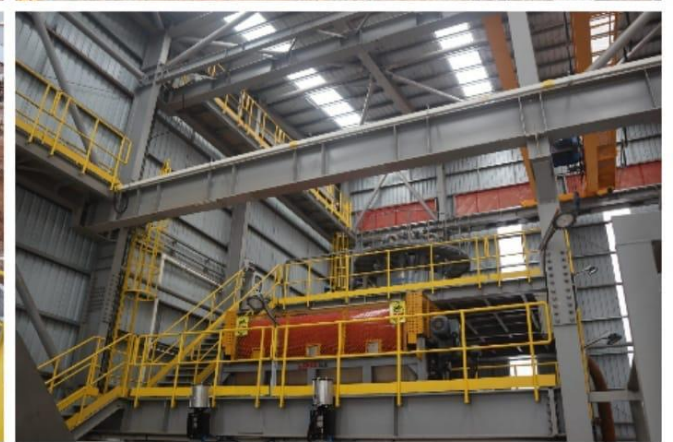
**NAMET URFA YEM FABRİKASI**



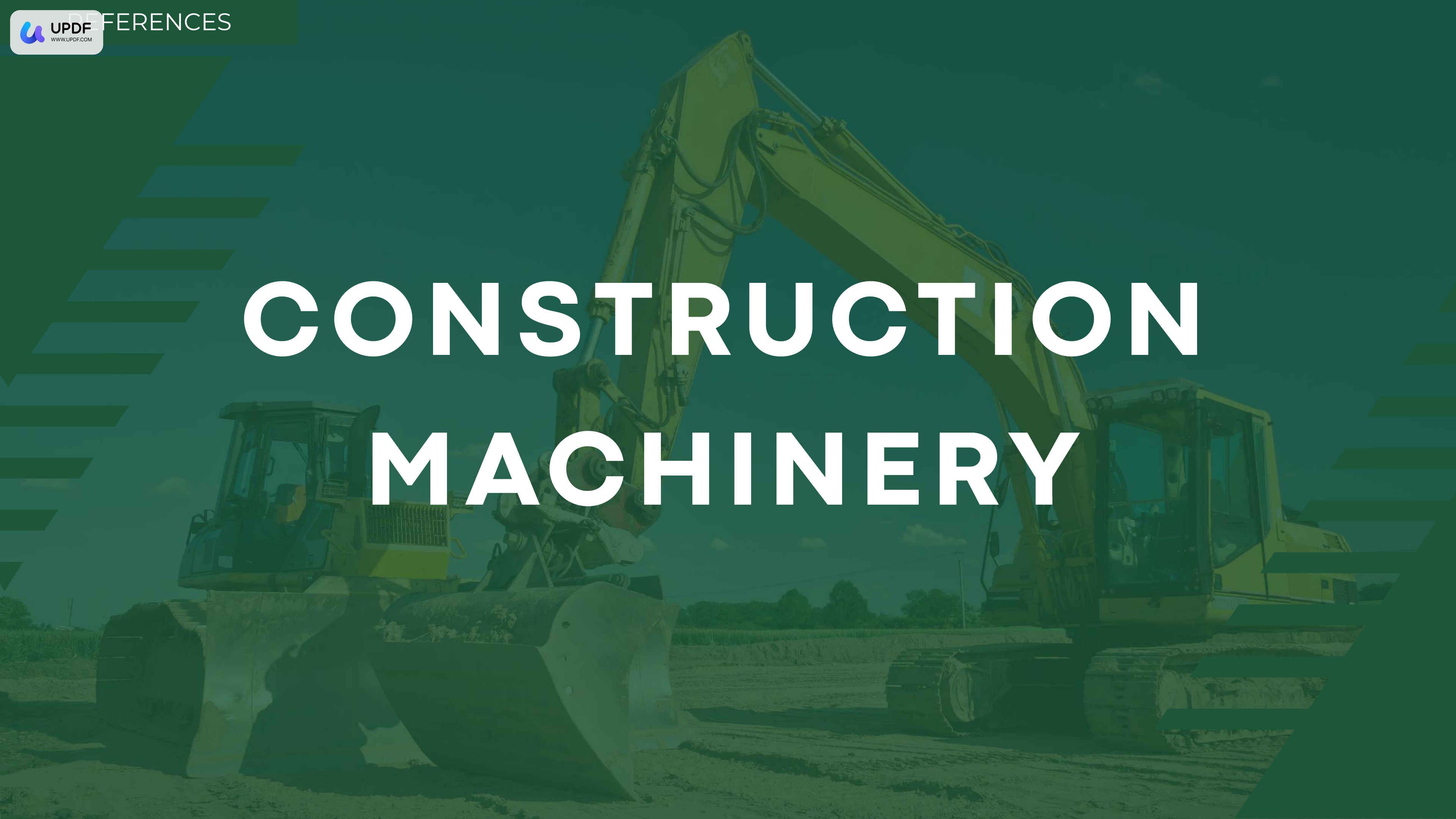
**BIGADIC BOR İŞLEME TESİSİ**



**BIGADIC BOR İŞLEME TESİSİ**



# CONSTRUCTION MACHINERY







# THANK YOU

 +90542 189 19 26

 [www.corenzoeco.com](http://www.corenzoeco.com)

 Popovici 46, 85000 Bar, Crna Gora,

